

**EXTRA  
PEACE OF MIND**  
Works with Nice's unique unhackable,  
uncrackable, unclonable remotes  
with a lifetime warranty.



**SA installers have trusted  
Nice for over 30 years.**

Now reach a new height in  
secure access control:

# RS 500 AC

## industrial roller-shutter door operator.

**Effortlessly opens and shuts spring-balanced  
industrial roller-shutter doors of up to 500 kg.**

- For roller-shutter doors up to 500 kg
- Opens or closes up to 130 times in 24 hours
- 20% duty cycle
- Single-phase AC induction motor
- 6,2 rpm secondary sprocket speed
- Mechanical limit switches
- No need to strip the door to fit.



# RS 500 AC industrial door operator

The Nice solution to automate new or retro-fitted doors

## Choose your kit

	Operator	Mounting Bracket	Chain	Sprocket	Hub	Wall console	Control card	Receiver	2 X Transmitters
1. Basic Kit	✓	✓	✓	✓	✓	✓	X	X	X
2. MCU Kit	✓	✓	✓	✓	✓	X	✓	✓	✓

### Basic features:

- Easy installation using the retro-fittable and adjustable mounting bracket kit
- Versatile hub options, for 20 mm, 25 mm, 30 mm, or 35 mm shafts
- Hold-to-run (deadman fall-out) wall console operation – Basic Kit
- Plug-and-play connections and wiring
- Thermal cut-out
- Electro-mechanical brake built-in
- Chain override feature

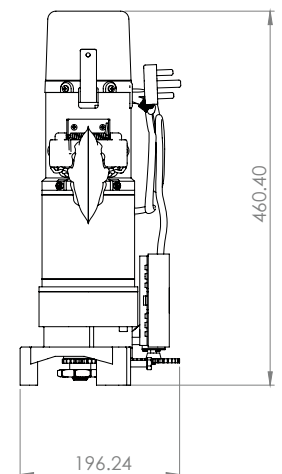
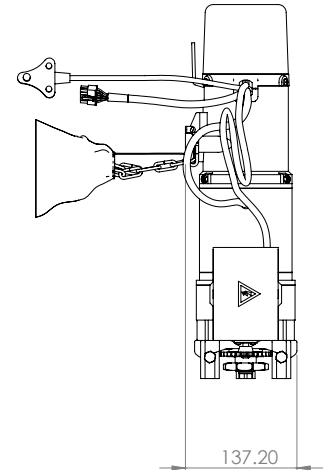
### MCU (Micro Controller Unit) Kit features:

- Plug-and-play installation
- Simple programming
- Built-in ET Blu Mix© Receiver
- Auto-close function
- Open-only function
- Safety devices dry contact switch, input (BM)
- Step-by-step (O/S/C) dry contact switch or button, input (BT)



## Technical specifications

Technical Data	RS 500 AC Basic	RS 500 AC MCU Kit
Maximum door mass.	500 kg	500 kg
Maximum door travel.	6 m	6 m
Maximum door drum diameter.	440 mm	440 mm
Output torque @ primary sprocket.	74 Nm	74 Nm
Output torque @ 47T secondary sprocket.	340 Nm	340 Nm
Maximum no load speed @ primary sprocket.	32 rpm	32 rpm
Maximum no load speed @ 47T secondary sprocket.	6.2 rpm	6.2 rpm
Primary power supply.	AC 220 – 240 V @ 50 Hz	AC 220 – 240 V @ 50 Hz
Peak power consumption.	250 W	250 W
Electrical class.	Class 1	Class 1
Motor voltage.	AC 230 V	AC 230 V
Motor protection.	Thermal cutout	Thermal cutout
Maximum continuous operating time.	+/- 6 min until thermal cutout. +/- 2 hour cooldown after cutout.	+/- 6 min until thermal cutout. +/- 2 hour cooldown after cutout.
Maximum duty cycle.	20 %	20%
Maximum operations. (3 m opening height)	130/24 hr	130/24 hr
Auxiliary supply output.	N/A	12 Vdc @ 230 mA
Safety beam input.	N/A	Normally closed. Dry contact.
Receiver format.	N/A	ET BLU MIX © backward compatible with ET BLUE (Rolling code)
Receiver frequency.	N/A	433.92 MHz
Receiver channels.	N/A	2 Channel (RX2-RC Micro)
Receiver memory capacity.	N/A	31 Users**
All users can be allowed control of all channels.	N/A	Yes
Ingress protection.	IP20	IP20
Operating temperature range.	0 to 45° C (32°F to 113° F)	0 to 45° C (32° F to 113° F)
Physical dimensions.	See line drawing.	See line drawing.



\*\* Memory can be expanded with the addition of a Condo-receiver or Accentronix GSM unit

**Nice Group South Africa (Pty) Ltd Head Office: 15 Nelson Road, Observatory, Cape Town**  
**Nice2Know WhatsApp group (for Nice installers only): 074 481 0896**

niceforyou.com/za 

Subscribe to our YouTube Training Videos 

**Disclaimer:** 1. The technical information and instructions in this correspondence are given on the assumption that the recipient is knowledgeable and skilled in the basic practices of the electrical, electronic, structural and mechanical trades. If there is any doubt as to your capabilities with regards to carrying out any of the instructions or comprehending any of the technical information, then it is strongly advised that a qualified and skilled service provider be contracted to carry out these instructions on site. 2. The Installer/Service provider information supplied in this correspondence is only for general information and use. In particular, the content does not constitute any form of recommendation or arrangement by Nice Group South Africa (Pty) Ltd or its associated information providers, and is not intended to be relied upon by users in making any specific decisions with regard to the hiring of an installer/service provider. Appropriate investigation and references should be obtained before making any such decision. Nice Group South Africa (Pty) Ltd cannot be held liable for any negotiations or agreements made between the user and the installer/service provider listed here that may occur as a result of the use of this information, nor can Nice Group South Africa (Pty) Ltd be held liable for faulty operation or any damage caused by incorrect installation or modifications done. All specifications are subject to change.

