

NICE SOON

THE COMPACT GUIDELESS SOLUTION
FOR SECTIONAL DOORS



SOON

SOLEMYO OPERA BLUEBUS 24V

For sectional doors* up to 20 m².
24 Vdc electromechanical gear motor
with absolute encoder.

*For balanced sectional doors equipped with anti-crash
(safety device useful in case of spring breaking).

Versatile

Ideal in residential contexts also for large doors,
multi-user contexts with intensive use and industrial
with small doors for example 3 x 3 m loading points.

All in one

built-in control unit. No guide or ratchet.

Easy to install: Soon can be fitted directly onto the shaft
of a sectional door; compact, particularly in width, in order
to make assembly easy in any position.

User-friendly thanks to the BlueBUS system

that enables users to connect the photocell couples
and control unit using just two wires.

Practical: the control unit and PS124 buffer battery (optional)
can be connected by means of a simple connector and can be
housed directly inside the motor.

Energy saving: when the system is not being used it will
switch over to standby.

Reliable and precise: memorization of limit switch positions
on opening and closing; gradual starting and slowdown during
closing; the absolute encoder technology guarantees precision
without the need of a limit switch, reliability and long term
safeguard of the set values.

Safe: obstacle detection system; motor absorption is monitored
during movement, self-diagnosis by means of a flashing light
and courtesy light.

Last generation of 8.2 KOhm optical and sensitive edges can also
be connected.

Simple maintenance

Removable terminals and receivers.

Easy to certify

Passes impact tests without further accessories.

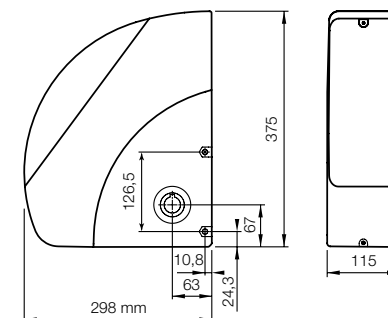


CODE	DESCRIPTION	PACK/PALLET
S02000	IRREVERSIBLE, 24 Vdc, WITH ABSOLUTE ENCODER FOR DOORS UP TO 5 m IN HEIGHT	20

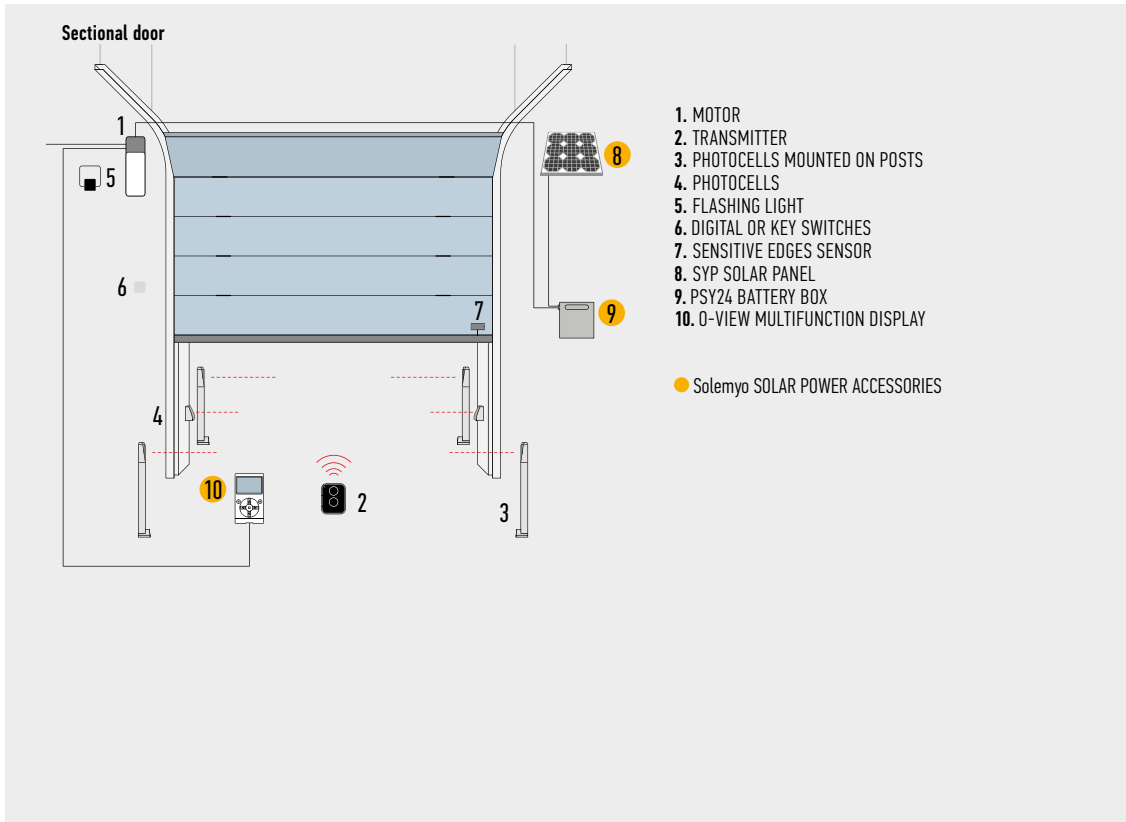
TECHNICAL SPECIFICATIONS

CODE	S02000
ELECTRICAL DATA	
POWER SUPPLY (Vac 50/60 Hz)	230
ABSORPTION (A)	1.6
POWER (W)	350
PERFORMANCE DATA	
SPEED (rpm)	30
TORQUE (Nm)	50
WORK CYCLE (CYCLES/HOUR)	15
DIMENSIONAL AND GENERAL DATA	
PROTECTION LEVEL (IP)	40
WORKING TEMP. (°C MIN/MAX)	-20 ÷ +50
DIMENSIONS (mm)	115x300x375 h
WEIGHT (kg)	10.5

DIMENSIONS



INSTALLATION DIAGRAM



COMPATIBILITY TABLE WITH CONTROL SYSTEMS AND ACCESSORIES

CODE	RECEIVER		TRANSMITTER				PHOTOCELLS							FLASHING LIGHT							
	Built-in*	FLOX2R*	OXI	ERA INTI	ERA ONE	ERA FLOR	NICEWAY	EPS	EPM	EPL	EPSB	EPMB	EPLB	F210	FT210	F210B	FT210B	EL	EL24	ELB	WLT
SO2000			●	●	●	●	●				●	●	●			●	●			●	●

*Radio receiver incompatible with Opera system

ACCESSORIES



SOA2
SPARE CONTROL UNIT
FOR SO2000.



PS124
24 V BATTERY
WITH INTEGRATED
BATTERY CHARGER.
PC/PACK 1



CRA9
ADAPTER FOR DIAMETER
31.75 (1.1/4\"), 35
AND 40 mm SHAFTS.
PC/PACK 1



TS
SIGNBOARD.
PC/PACK 1



SOLEMYO KIT
THE SOLAR POWER TO
AUTOMATE GATES, GARAGE
DOORS OR BARRIER GATES.



IT4WIFI
INTERFACCIA WI-FI
INTELLIGENTE PER GESTIRE
VIA SMARTPHONE CANCELLI
E PORTE DA GARAGE*

*Non compatibile con Kit Solemyo e PS324

TECHNOLOGY AS SIMPLE AS A GESTURE



NICE, EASY SOLUTIONS FOR HOME AND BUILDING.

SYSTEMS FOR THE AUTOMATION AND CONTROL OF GATES, GARAGE DOORS, BLINDS, SHUTTERS AND ALARM SYSTEMS, WITH INTEGRATED MANAGEMENT USING SMART AND INTUITIVE INTERFACES: PRACTICAL, FUNCTIONAL AND ELEGANT SOLUTIONS TO HELP YOU ENJOY YOUR LIVING SPACES TO THE FULL.

Nice

Nice SpA
Oderzo TV Italia

www.niceforyou.com



Nice cares for the environment.
Using natural paper it avoids excessive use
of raw materials and forest exploitation.
Waste is reduced, energy is saved
and climate quality is improved.

Our products and our technologies are
protected with patents, design models and
brands. All violations will be prosecuted.