

A blue square logo with the word "Nice" in white text.

Nice

# Spy

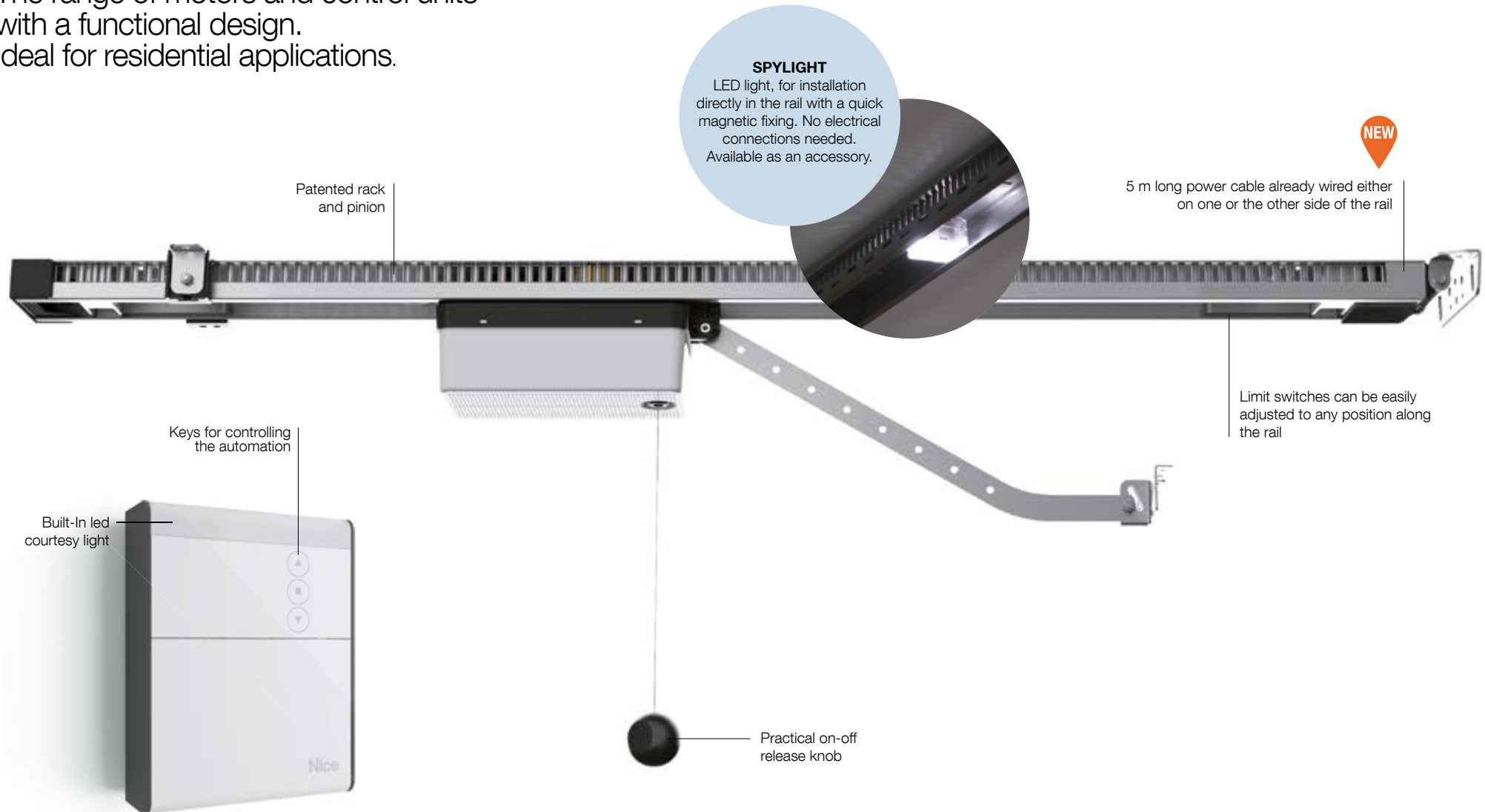
The practical and smart  
solution for garage doors.

A close-up photograph of a white and grey garage door opener. The device has a perforated grey side panel and a white top section. A steel cable is visible entering a hole in the grey panel. The word "Nice" is printed vertically on the white section, and "Spy" is printed on the grey panel.

Nice  
Spy

# Nice Spy Faster garage doors

The range of motors and control units with a functional design.  
Ideal for residential applications.





## Quick to install

Spyrail with symmetric power supply: the freedom to set up your garage door automation as you please. The motor power supply module allows the rail to be supplied from each side. The motor moves along a rail containing a rack, **without chains** or other noisy mechanisms to install.

## Safe

### 24V power supply.

**Obstacle detection function** that immediately reverses movement of the motor if the garage door should come into contact with an obstacle.

**ON/OFF release system** that allows the motor to be released or blocked in any position along the rail, all in just one simple move.

## Handy

Separate control unit with **built-in LED courtesy light and three practical keys to control the automation**, always close at hand. **More practical and convenient** for programming and maintenance.

## Smart

**Simple and fast basic programming, using the Quick Setup procedure:** pressing the opening pushbutton, the control unit independently detects all connected devices and the positions of the motor limit switches.

**Simplified advanced programming, using O-View.**

## Solutions in kit, complete and ready to use

Motor, control unit, and one two-channel transmitter are available in the kit. The range offers several alternatives thought for all types of garage door configurations:

- SPY550KCE: with 550N gearmotor
- SPY650BDKCE and SPY800BDKCE: featured with Bidirectional technology, with 650 and 800N gearmotor, respectively.
- SPY650HSBDKCE: Quick manoeuvres are now possible thanks to increased speed performance. Featured with Bidirectional technology and 650N gearmotor.

**The rails are available in different sizes:** single 3.2 m long rail, or supplied in two 1.6 m sections plus a 0.8 m extension, to simplify all logistics and installation requirements.

Nice

OPERA

24V

# Spykit 550

For sectional doors up to 9 m<sup>2</sup> and up-and-over doors (including canopy doors) up to 10.5 m<sup>2</sup>

24 Vdc irreversible electromechanical gear motor for residential use, transmission with rack on the rail.

To be combined with SPYRAIL321, SPYRAIL162 and SPYRAIL081 rails.

**Functional and stylish:** the motor is the only component that moves on the rail, there are no chains or other noisy mechanisms. Ideal for any architectural context.

**Handy:** Separate control unit: more practical and convenient for programming and maintenance. Built-in LED courtesy light. Three practical keys to control the automation.

**Quick to install:** forget about the screwdriver.

A new time-saving solution: the motor power supply module can be easily installed, either on one or the other side of the rail with simple gestures. Limit switches easy to position along the rail with no need to stand and work on the ceiling. No chains or other noisy mechanisms to install.

**Easy to program:** simple and fast basic programming, using the Quick Setup procedure. Simplified advanced programming, using O-View.

**ON/OFF release system:** pulling the release knob once releases the motor; pulling it a second time blocks the motor again, in any position along the rail.

**Inexpensive to run and environmentally-friendly:** when connected to the mains in standby mode, the control unit consumes 1.5 W.

**Safe:** obstacle detection, motor power monitoring during travel, diagnostic messages via flashing light and courtesy light.

Adjustable acceleration and deceleration at the start and end of each manoeuvre.

Ready for installation of the latest generation 8.2 kOhm resistive sensitive edges.

**Optimised logistics:** for practical management and transport, the rails are available in different sizes: single 3.2 m long rail, or supplied in two 1.6 m sections plus a 0.8 m extension.



## The kit contains:

### SPY550

1 gearmotor, 550 N.



### SPYBOX

1 Control unit with built-in LED courtesy light and receiver.



### FLO2RE

1 Transmitter 433.92 MHz, 2 channels.



## COMMON ACCESSORIES



### IBT4N

Interface for connecting the O-View programming unit.

Pc./Pack 1



### BIDI-ZWAVE

Plug-in communication interface between Z-Wave™ gateways and Nice motors.

Pc./Pack 1



### SPYLIGHT

LED accessory module for Spyrail (max 2 per Spyrail).

Pc./Pack 1



### IT4WIFI

Smart Wi-fi interface to manage gates and garage doors by smartphone.

Pc./Pack 1



### SPA5

Oscillating arm sliding on bearings with optimised structure for projecting up-and-over doors.

Pc./Pack 1



### SPA6

Large 585 mm long connecting arm.

Pc./Pack 1



### K11

Outside release kit with metal pull-cord and lock and key.

Pc./Pack 1



### SPA2

Kit for unlocking from the outside with cable.

Pc./Pack 1



### TS

Signboard.

Pc./Pack 1

## TECHNICAL SPECIFICATIONS

Code	Description	Pack/ Pallet
<b>SPY550KCE</b>	Kit for the automation of sectional and up-and-over doors, 550 N, with SPYBOX control unit and 1 FLO2RE transmitter. Rails not included	48

Code	SPY550KCE
<b>ELECTRICAL DATA</b>	
Power supply (Vac 50/60 Hz)	230 ± 10%
Absorption (A)	1,2
Maximum power (W)	200
Power in standby (W)	1,5
<b>PERFORMANCE DATA</b>	
Maximum speed (m/s)	0,15
Maximum force (N)	550
Nominal force (N)	180
Work cycle (cycles/hour)	20
Working cycle (cycles/day)	200
<b>DIMENSIONAL AND GENERAL DATA</b>	
Protection level (IP)	IP40
Working temp. (°C Min/Max)	-20 ÷ +55
Pack dimensions (mm)	380x380x125 h
Weight (kg)	3,2

## RAIL TECHNICAL SPECIFICATIONS

Code	Description	Pack/ Pallet
<b>SPYRAIL321</b>	1 x 3.2 m rail complete with pre-assembled accessories	48
<b>SPYRAIL162</b>	2 x 1.6 m rails with assembly accessories	48
<b>SPYRAIL081</b>	0.8 m extension with assembly accessories (to add to the other rails so as to reach a length of 4 m)	48

Code	SPYRAIL321	SPYRAIL162	SPYRAIL081*
Type	3.2 m (one section)	3.2 m (2 pcs length 1.6 m)	0.8 m (rails to reach length 4 m)
Installed rail length (mm)	3270		4075
Useful travel (mm)	2710		3515
Weight (kg)	7,5	8,35	3,3
Pack dimensions (mm)	3230x110x50	1760x110x50	960x110x50
Accessories pack dimensions (mm)	400x400x90		

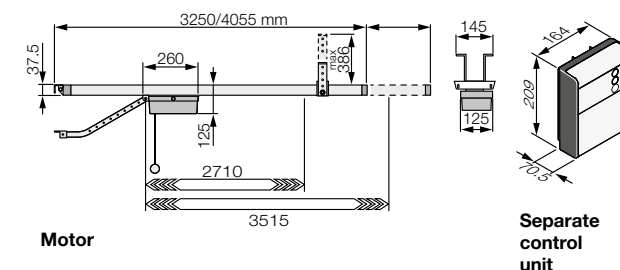
\* To be used in combination with SPYRAIL321 e SPYRAIL162 rails

## UTILISATION LIMITS

Using the maximum travel

	Non-projecting up-and-over door (with SPA5)		Projecting up-and-over door (with SPA5) or with springs (without SPA5)		Sectional	
	H	L	H	L	H	L
SPY550 with 3.2 m rail	2,3 m	3,5 m	2,8 m	3,5 m	2,5 m	3,6 m
SPY550 with 4 m rail	3,1 m	2,6 m	3,5 m	2,9 m	3,3 m	2,8 m

## DIMENSIONS



## COMPATIBILITY TABLE WITH CONTROL SYSTEMS AND ACCESSORIES

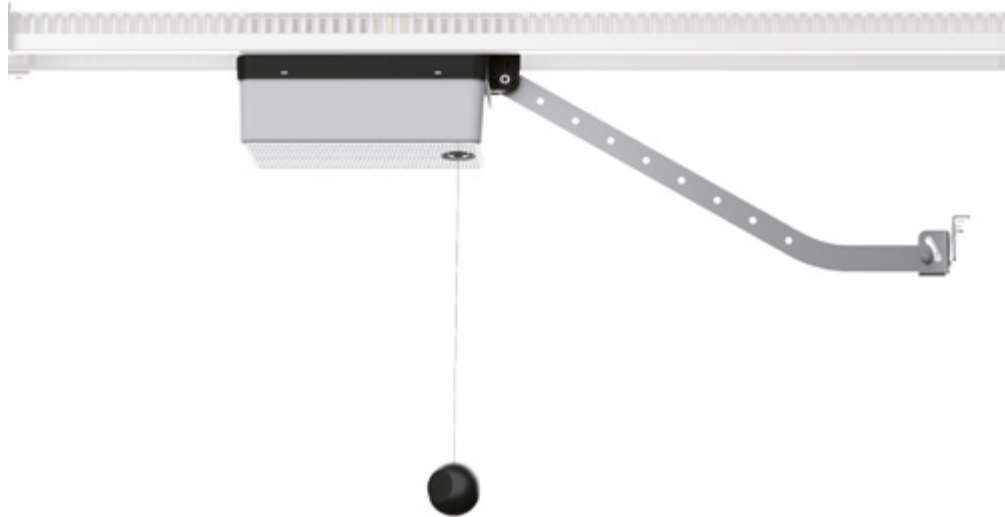
Code	receiver				transmitter						photocells								flashing light						
	Built-in*	OXI	OXIBD	OXILR	ERA INTI	ERA ONE**	ERA ONE BD**	ERA ONE LR**	ERA FLOR	NICEWAY	EPS	EPM	EPL	EPSB	EPMB	EPLB	EPNOW	EPWOR	F210	FT210	F210B	FT210B	ELAC	ELDC	WLT
<b>SPYBOX</b>	•	•	•	•	•	•	•	•	•	•	•	•	•	•	•	•	•	•	•	•	•	•	•	•	•
<b>SPYBOXB</b>	•	•	•	•	•	•	•	•	•	•	•	•	•	•	•	•	•	•	•	•	•	•	•	•	•

\* Radio receiver incompatible with Opera system

\*\* ERA ONE remote controls, when used with SPYBOX, work as ERA FLOR models

# Spykit 650/800 BD

For sectional doors up to 10.5 m<sup>2</sup> (SPY650) and 12.5 m<sup>2</sup> (SPY800), up-and-over doors, including canopy doors, up to 11.5 m<sup>2</sup> (SPY650) and 14 m<sup>2</sup> (SPY800)



## The kit contains:

### SPY650BDKCE

1 SPY650 gearmotor, 650 N.

### SPY800BDKCE

1 SPY800 gearmotor, 800 N.



### SPYBOXB

1 Control unit with LED courtesy light.



### OXIBD

Bidirectional radio receiver with connector.



### ON3EBD

1 Transmitter 433.92 MHz, 3 channels, bidirectional



24 Vdc irreversible electromechanical gear motor for residential use, transmission with rack on the rail.

To be combined with SPYRAIL321, SPYRAIL162 and SPYRAIL081 rails.

**Functional and stylish:** the motor is the only component that moves on the rail, there are no chains or other noisy mechanisms. Ideal for any architectural context.

**Handy:** Separate control unit: more practical and convenient for programming and maintenance. Built-in LED courtesy light. Three practical keys to control the automation.

#### Quick to install.

Forget about the screwdriver. A new time-saving solution: the motor power supply module can be easily installed, either on one or the other side of the rail with simple gestures.

Limit switches easy to position along the rail with no need to stand and work on the ceiling. No chains or other noisy mechanisms to install.

**Simple to install with the BlueBus system:** requiring just two wires for connection between the control unit and the pairs of photocells and other accessories featuring BlueBus technology.

**Easy to program:** simple and fast basic programming, using the Quick Setup procedure. Simplified advanced programming, using O-View.

**ON/OFF release system:** pulling the release knob once releases the motor; pulling it a second time blocks the motor again, in any position along the rail.

**Inexpensive to run and environmentally-friendly:** when connected to the mains in standby mode, the control unit consumes just 0.5 W. When connected to the battery or the Solemyo kit, power consumption in standby mode is reduced to 0.1 W.

**No black out:** operation is guaranteed even when mains power is not available, thanks to the optional PS324 backup battery.

**Safe:** obstacle detection, motor power monitoring during travel, diagnostic messages via flashing light and courtesy light.

Adjustable acceleration and deceleration at the start and end of each manoeuvre.

Ready for installation of the latest generation 8.2 kOhm resistive sensitive edges.

**Optimised logistics:** for practical management and transport, the rails are available in different sizes: single 3.2 m long rail, or supplied in two 1.6 m sections plus a 0.8 m extension.

Nice **BiDirectional products** indicate the status of the automations and confirm correct reception of the command.

**Yubii** is the new Nice ecosystem that connects all the automations in the home.

## COMMON ACCESSORIES



### CORE

Nice Wi-Fi-Radio Gateway.

Pc./Pack 1



### SPYLIGHT

LED accessory module for Spyrail (max 2 per Spyrail).

Pc./Pack 1



### IBT4N

Interface for connecting the O-View programming unit.

Pc./Pack 1



### BIDI-ZWAVE

Plug-in communication interface between Z-Wave™ gateways and Nice motors.

Pc./Pack 1



### IT4WIFI

Smart Wi-Fi interface to manage gates and garage doors by smartphone (\*).

Pc./Pack 1



### PS324

24 V battery with integrated battery charger. Requires accessory TNA9 for wall mounting.

Pc./Pack 1



### TNA9

Additional connection cable and supports for wall-mounting of PS324 battery.

Pc./Pack 1



### SPA5

Oscillating arm sliding on bearings with optimised structure for projecting up-and-over doors.

Pc./Pack 1



### SPA6

Large 585 mm long connecting arm.

Pc./Pack 1



### SPA11

Kit with additional ceiling fixing bracket for Spyrail.

Pc./Pack 1



### KI1

Outside release kit with metal pull-cord and lock and key.

Pc./Pack 1



### SPA2

Kit for unlocking from the outside with cable.

Pc./Pack 1

### TS

Signboard.

Pc./Pack 1



### SOLEMYO KIT

The solar power to automate gates, garage doors or barrier gates.

\* Not compatible with the Solemyo kit and PS324

## TECHNICAL SPECIFICATIONS

Code	Description	Pack/Pallet
<b>SPY650BDKCE</b>	Kit for automating sectional and up-and-over doors, 650 N, with SPYBOXB control unit, OXIBD receiver with connector included and 1 ON3EBD transmitter, with bidirectional technology. Guides not included	48
<b>SPY800BDKCE</b>	Kit for automating sectional and up-and-over doors, 800 N, with SPYBOXB control unit, OXIBD receiver with connector included and 1 ON3EBD transmitter, with bidirectional technology. Guides not included	48

Code	SPY650BDKCE	SPY800BDKCE
<b>ELECTRICAL DATA</b>		
Power supply (Vac 50/60 Hz)	230 ± 10%	
Absorption (A)	1,4	1,6
Maximum power (W)	250	300
Power in standby (W)	0,5	0,5
<b>PERFORMANCE DATA</b>		
Maximum speed (m/s)	0,15	0,14
Maximum force (N)	650	800
Nominal force (N)	200	250
Work cycle (cycles/hour)	30	30
Working cycle (cycles/day)	300	300
<b>DIMENSIONAL AND GENERAL DATA</b>		
Protection level (IP)	IP40	
Working temp. (°C Min/Max)	-20 ÷ +55	
Pack dimensions (mm)	380x380x125	
Weight (kg)	3,2	3,4

## RAIL TECHNICAL SPECIFICATIONS

Code	Description	Pack/Pallet
<b>SPYRAIL321</b>	1 x 3.2 m rail complete with pre-assembled accessories	48
<b>SPYRAIL162</b>	2 x 1.6 m rails with assembly accessories	48
<b>SPYRAIL081</b>	0.8 m extension with assembly accessories (to add to the other rails so as to reach a length of 4 m)	48

Code	SPYRAIL321	SPYRAIL162	SPYRAIL081*
Type	3.2 m (one section)	3.2 m (2 pcs length 1.6 m)	0.8 m (rails to reach length 4 m)
Installed rail length (mm)	3270		4075
Useful travel (mm)	2710		3515
Weight (kg)	7,5	8,35	3,3
Pack dimensions (mm)	3230x110x50	1760x110x50	960x110x50
Accessories pack dimensions (mm)	400x400x90		

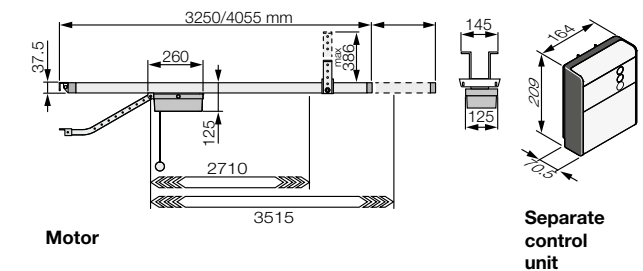
\* To be used in combination with SPYRAIL321 e SPYRAIL162 rails

## UTILISATION LIMITS

Using the maximum travel

	Non-projecting up-and-over door (with SPA5)		Projecting up-and-over door (with SPA5) or with springs (without SPA5)		Sectional	
	H	L	H	L	H	L
SPY650 with 3.2 m rail	2,3 m	4 m	2,8 m	4 m	2,5 m	4,2 m
SPY650 with 4 m rail	3,1 m	3 m	3,5 m	3,3 m	3,3 m	3,2 m
SPY800 with 3.2 m rail	2,3 m	5 m	2,8 m	5 m	2,5 m	5 m
SPY800 with 4 m rail	3,1 m	3,7 m	3,5 m	4 m	3,3 m	3,8 m

## DIMENSIONS



## COMPATIBILITY TABLE WITH CONTROL SYSTEMS AND ACCESSORIES

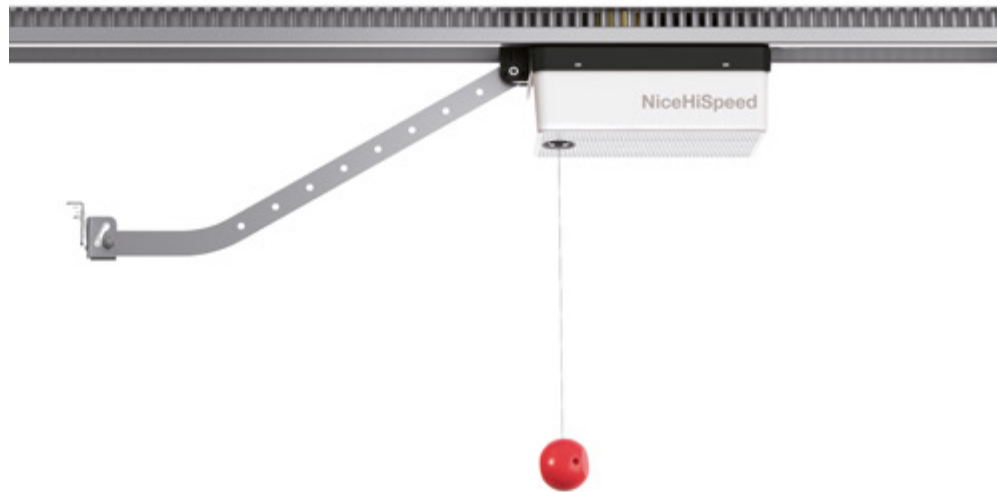
Code	receiver				transmitter							photocells						flashing light							
	Built-in*	OXI	OXIBD	OXILR	ERA INTI	ERA ONE**	ERA ONE BD**	ERA ONE LR**	ERA FLOR	NICEWAY	EPS	EPM	EPL	EPSB	EPMB	EPLB	EPMOV	EPWOR	F210	FT210	F210B	FT210B	ELAC	ELDC	WLT
<b>SPYBOX</b>	•					•	•	•	•	•	•	•	•	•	•	•	•	•	•	•	•	•	•	•	•
<b>SPYBOXB</b>	•	•	•	•	•	•	•	•	•	•				•	•	•	•	•			•	•	•	•	•

\* Radio receiver incompatible with Opera system

\*\* ERA ONE remote controls, when used with SPYBOX, work as ERA FLOR models

# Spykit 650 HS BD

For sectional doors up to 10.5 m<sup>2</sup> and up-and-over doors (projecting and non-projecting) up to 11.5 m<sup>2</sup>



24 Vdc irreversible electromechanical gear motor for residential use, transmission with rack on the rail.

To be combined with SPYRAIL321, SPYRAIL162 and SPYRAIL081 rails.

 **Quick manoeuvres:** the garage door opens in about 8,5\* seconds

**Functional and stylish:** the motor is the only component that moves on the rail, there are no chains or other noisy mechanisms. Ideal for any architectural context.

**Handy:** Separate control unit: more practical and convenient for programming and maintenance. Built-in LED courtesy light. Three practical keys to control the automation.

**Quick to install.**

Forget about the screwdriver. A new time-saving solution: the motor power supply module can be easily installed, either on one or the other side of the rail with simple gestures.

Limit switches easy to position along the rail with no need to stand and work on the ceiling. No chains or other noisy mechanisms to install.

**Simple to install with the BlueBus system:** requiring just two wires for connection between the control unit and the pairs of photocells and other accessories featuring BlueBus technology.

**Easy to program:** simple and fast basic programming, using the Quick Setup procedure. Simplified advanced programming, using O-View.

**ON/OFF release system:** pulling the release knob once releases the motor; pulling it a second time blocks the motor again, in any position along the rail.

**Inexpensive to run and environmentally-friendly:**

when connected to the mains in standby mode, the control unit consumes just 0.5 W. When connected to the battery or the Solemyo kit, power consumption in standby mode is reduced to 0.1 W.

**No black out:** operation is guaranteed even when mains power is not available, thanks to the optional PS324 backup battery.

**Safe:** obstacle detection, motor power monitoring during travel, diagnostic messages via flashing light and courtesy light.

Adjustable acceleration and deceleration at the start and end of each manoeuvre.

Ready for installation of the latest generation 8.2 kOhm resistive sensitive edges.

**Optimised logistics:** for practical management and transport, the rails are available in different sizes: single 3.2 m long rail, or supplied in two 1.6 m sections plus a 0.8 m extension.

\* Considering a typical installation with a 2 m high garage door, excluding acceleration and deceleration.

Nice **BiDirectional products** indicate the status of the automations and confirm correct reception of the command.

**Yubii** is the new Nice ecosystem that connects all the automations in the home.

**The kit contains:**

**SPY650HS**

1 gearmotor, 650 N.



**SPYBOXBHS**

1 Control unit with LED courtesy light.



**OXIBD**

Bidirectional radio receiver with connector.



**ON3EBD**

1 Transmitter 433.92 MHz, 3 channels, bidirectional





## COMMON ACCESSORIES



**CORE**  
Nice Wi-Fi-Radio Gateway.  
Pc./Pack 1



**SPYLIGHT**  
LED accessory module for Spyrail (max 2 per Spyrail).  
Pc./Pack 1



**IBT4N**  
Interface for connecting the O-View programming unit.  
Pc./Pack 1



**BIDI-ZWAVE**  
Plug-in communication interface between Z-Wave™ gateways and Nice motors.  
Pc./Pack 1



**IT4WIFI**  
Smart Wi-Fi interface to manage gates and garage doors by smartphone (\*).  
Pc./Pack 1



**PS324**  
24 V battery with integrated battery charger. Requires accessory TNA9 for wall mounting.  
Pc./Pack 1



**TNA9**  
Additional connection cable and supports for wall-mounting of PS324 battery.  
Pc./Pack 1



**SPA5**  
Oscillating arm sliding on bearings with optimised structure for projecting up-and-over doors.  
Pc./Pack 1



**SPA11**  
Kit with additional ceiling fixing bracket for Spyrail.  
Pc./Pack 1



**SPA6**  
Large 585 mm long connecting arm.  
Pc./Pack 1



**KI1**  
Outside release kit with metal pull-cord and lock and key.  
Pc./Pack 1



**SPA2**  
Kit for unlocking from the outside with cable.  
Pc./Pack 1

**TS**  
Signboard.  
Pc./Pack 1



**SOLEMYO KIT**  
The solar power to automate gates, garage doors or barrier gates.

\* Not compatible with the Solemyo kit and PS324

## TECHNICAL SPECIFICATIONS

Code	Description	Pack/Pallet
<b>SPY650HSBDKCE</b>	Kit to automate sectional and up-and-over doors, 650 N, with SPYBOXBHS control unit, OXIBD receiver with connector included, 1 ON3EBD transmitter included. Guides not included	48

Code	SPY650HSBDKCE
<b>ELECTRICAL DATA</b>	
Power supply (Vac 50/60 Hz)	230 ± 10%
Absorption (A)	1,6
Maximum power (W)	300
Power in standby (W)	0,5
<b>PERFORMANCE DATA</b>	
Maximum speed (m/s)	>> 0,24 <<
Maximum force (N)	650
Nominal force (N)	200
Work cycle (cycles/hour)	30
Working cycle (cycles/day)	300
<b>DIMENSIONAL AND GENERAL DATA</b>	
Protection level (IP)	IP41
Working temp. (°C Min/Max)	-20 ÷ +55
Pack dimensions (mm)	380x380x125
Weight (kg)	3,2

## RAIL TECHNICAL SPECIFICATIONS

Code	Description	Pack/Pallet
<b>SPYRAIL321</b>	1 x 3.2 m rail complete with pre-assembled accessories	48
<b>SPYRAIL162</b>	2 x 1.6 m rails with assembly accessories	48
<b>SPYRAIL081</b>	0.8 m extension with assembly accessories (to add to the other rails so as to reach a length of 4 m)	48

Code	SPYRAIL321	SPYRAIL162	SPYRAIL081*
Type	3.2 m (one section)	3.2 m (2 pcs length 1.6 m)	0.8 m (rails to reach length 4 m)
Installed rail length (mm)	3270		4075
Useful travel (mm)	2710		3515
Weight (kg)	7,5	8,35	3,3
Pack dimensions (mm)	3230x110x50	1760x110x50	960x110x50
Accessories pack dimensions (mm)	400x400x90		

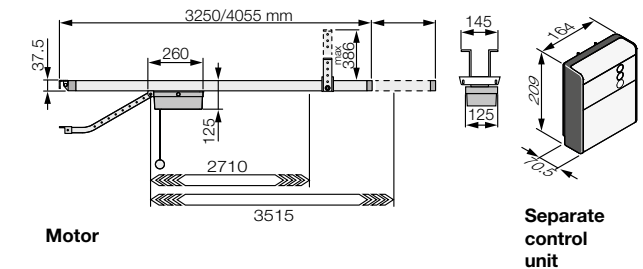
\* To be used in combination with SPYRAIL321 e SPYRAIL162 rails

## UTILISATION LIMITS

Using the maximum travel

	Non-projecting up-and-over door (with SPA5)		Projecting up-and-over door (with SPA5) or with springs (without SPA5)		Sectional	
	H	L	H	L	H	L
3.2 m guide	2,3 m	4 m	2,8 m	4 m	2,5 m	4,2 m
4 m guide	3,1 m	3 m	3,5 m	3,3 m	3,3 m	3,2 m

## DIMENSIONS



## COMPATIBILITY TABLE WITH CONTROL SYSTEMS AND ACCESSORIES

Code	receiver				transmitter						photocells						flashing light						
	Built-in*	OXI	OXIBD	OXILR	ERA INTI	ERA ONE	ERA ONE BD	ERA ONE LR	ERA FLOR	NICEWAY	EPS	EPM	EPL	EPSB	EPMB	EPLB	EPMOV	EPMOR	FZ10B	FZ10B	ELAC	ELDC	WLT
<b>SPYBOXBHS</b>	•	•	•	•	•	•	•	•	•	•				•	•	•	•	•	•	•	•	•	•

\* Radio receiver incompatible with Opera system

# Control systems and Accessories

## The most advanced controls

### > Transmitters and receivers with connector



#### ERA ONE BD & OXI BD

##### Bidirectional transmitters

4 key: 3 radio channels and 1 key to request automation status.

With **NFC** technology.

**Receiver with connector, bidirectional** with the functions of the **Opera system**.



#### ERA ONE LR & OXI LR

**Bidirectional transmitters, with LoRa® long range technology:** 4 key, 3 radio channels and 1 key to request automation status.

With **NFC** technology.

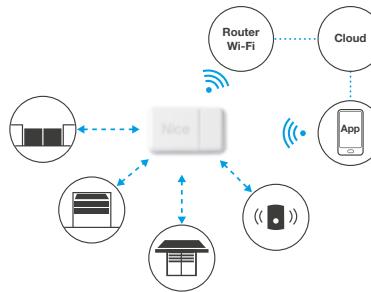
**Radio receiver with connector, bidirectional, with LoRa® technology.**

Range up to 1 km and improved immunity to radio disturbance, also available in kit.

**ONELRKIT** composed by:  
2 pcs ON3ELR, 1 pcs OXILR, 1 pcs OX2UBP

## Integration, more automations, more convenience

### > Nice Wi-Fi Radio Gateway



#### Core

**Nice Wi-Fi-Radio Gateway to manage Nice automations via the MyNice Welcome App.**

**Smart:** Through Wi-Fi communication, Core enables the connection, interaction and control of Nice automations, even from a remote location. It can also be used to manage remote controls (including unidirectional), sensors for blinds, awnings and rolling shutters with built-in radio and accessories for MyNice alarm systems (except MNTX8, MNKS, and MNPIRTVCC series Photopir).

## Trendy coloured controls

### > 1 and 2 channel transmitters

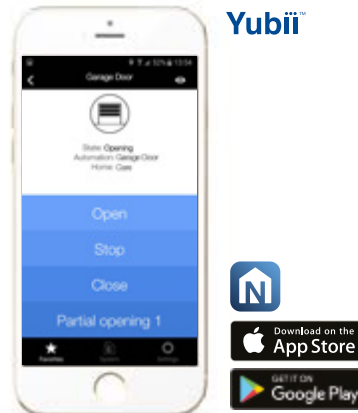


**The colourful line of 1 and 2 channel miniaturised transmitters, available in six colours.**

433.92 MHz rolling code, with management of Identity Codes and Certificates, self-learning and built-in proximity receiver; with 72 bit O-Code encoding, also compatible with receivers with Nice FloR encoding.

## Management wherever you are

### > MyNice Welcome App

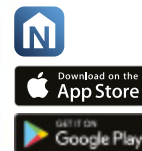


**MyNice Welcome** is a single APP allowing users to configure and control Nice devices directly from their smartphone via Core, the Nice Wi-Fi-Radio gateway.

**Everything under control:** if your smartphone has an internet connection, you can also view the status of each individual automation and control it wherever you are via the Nice Cloud.

**All Nice technology at your fingertips!** the MyNice Welcome App lets you configure and control the system locally, even without an internet connection.

With a simple click, you can update the IT4WIFI interface and Nice Core Wi-Fi-radio gateway, download the events log and view automation activations and diagnostics.



## Control and indicator devices

### > Key digital selector and proximity reader



EDS/EDSI  
EDSB/EDSIB



EDSWG



ETP



HSB1



MOCARD

#### ERA KEYPAD

**Key digital selector**, also with Nice BlueBUS technology, available in the recessed mounting version, or 100% wireless. Also with Nice BlueBUS technology.

#### ERA TRANSPONDER READER

Transponder proximity reader for cards and badge, for outdoor installation. Also with Nice BlueBUS technology.

### > Indicator devices



ELAC  
ELDC

#### ERA LIGHT

Flashing LED signal light, body particularly shock resistant, designed for fixing in various positions. Available in two versions: 90-240 Vac and 12-36 Vdc.

### > Control devices



EPSA  
EPSAB

EPS  
EPSB

#### ERA PHOTOCELLS SLIM

Fixed, synchronized photocells Slim, also with Nice BlueBUS technology. Also in burglar-proof version. Ideal for tight spaces.



EPMA/ EPMOA  
EPMAB/EPMAOB



EPM/ EPMO  
EPMB/EPMOB

#### ERA PHOTOCELLS MEDIUM

Synchronized photocells Medium, fixed or positionable, also with Nice BlueBUS technology. Available in anti-intrusion, reflective and wireless versions. Ideal for the most common systems.



EPL/ EPLB  
EPLO/EPLOB/EPLIO/EPLIOB

#### ERA PHOTOCELLS LARGE

Synchronized photocells fixed or positionable, with Nice BlueBUS technology, both surface mounted and recessed.



EPMW



EPMOR

#### ERA PHOTOCELLS MEDIUM

Reflective and wireless versions.

# We make even the smallest of gestures extraordinary.

## Nice, a world without barriers.

Automation and control systems for gates, garage doors, blinds, awnings and rolling shutters and alarm systems for all types of space, from private homes to large public buildings.

[www.niceforyou.com](http://www.niceforyou.com)

Nice SpA  
Oderzo, TV, Italy



Nice cares for the environment.  
Using natural paper it avoids  
excessive use of raw materials  
and forest exploitation.  
Waste is reduced, energy is saved  
and climate quality is improved.