



control unit



IB

Instructions and warnings for the fitter

Istruzioni ed avvertenze per l'installatore

Instructions et recommandations pour l'installateur

Anweisungen und Hinweise für den Installateur

Instrucciones y advertencias para el instalador

Instrukcje i uwagi dla instalatora

COMPANY
WITH QUALITY SYSTEM
CERTIFIED BY DNV
=ISO 9001/2000=



1) Warnings:

This manual has been especially written for use by qualified fitters. No information given in this manual can be considered as being of interest to end users! This manual refers to IB only and cannot be used for different products.

- The installation, testing and commissioning of door and gate automation systems must be performed by qualified and experienced personnel.
- The persons responsible for installation must establish which tests are to be conducted based on the risks involved, and verify the compliance of the system with applicable regulations, legislation and standards.

- Before starting to install the product read all the instructions in this manual thoroughly; improper use of the product or erroneous connections could reduce safety levels or cause malfunctions.
- Before starting the installation procedure check the suitability of the product for the intended application; use special care to check that the values given in the "Technical Specifications" chapter are compatible with the application, otherwise unit IB cannot be used.

2) Product description and intended use

Unit IB is an interface that makes it possible to connect detectors with bluebus technology (MOFB and MOFOB photocells) to control units with inputs for conventional NC type contacts. The use of the IB unit with MOFB and MOFOB photocells makes it possible to create detectors (D type to standard 12453) that can be used with door and gate automation systems. Use of the fototest function makes it possible to attain safety category 2 in compliance with EN 954-1.

Bluebus technology is easy to install because just two wires (no polarity) are needed to connect all the devices in parallel; also, it solves inter-detector interference problems by means of an automatic synchronism system.

3) Installation

⚠ Warning: the unit must be installed with the power supply disconnected.

Warning: before installing the unit carry out risk analysis to calculate the number of detectors required in relation to the specific automation system.

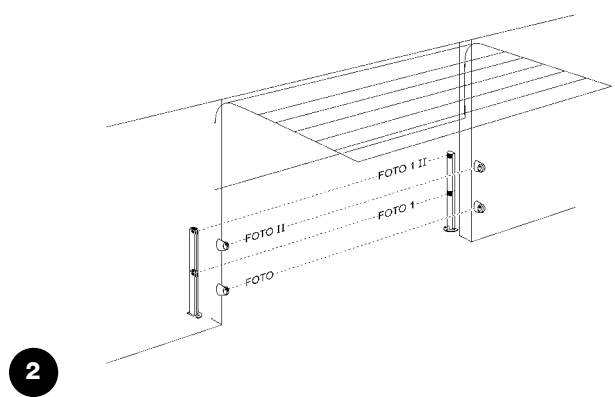
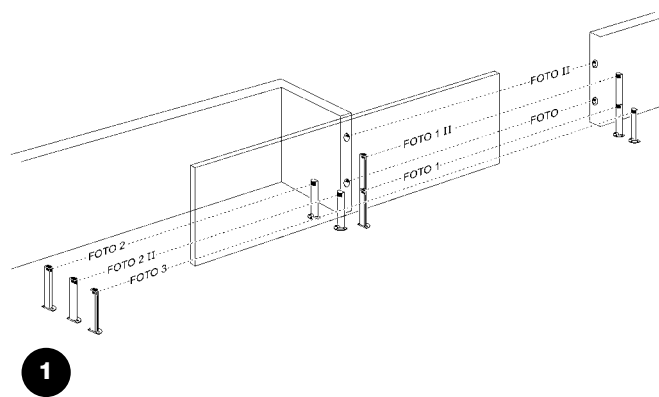
Device IB can be used in various types of automation system for doors and gates, with installation options potentially varying in relation to the specific system; refer to table 1 for installation and programming.

Table 1

Type of system	Installation: see chapter:	Programming: see table
Sliding gate	3.1 "Single-leaf" type systems	Table 5
Sectional door		
Swing gate	3.2 "Double-leaf" type systems	Table 6
Projecting up-and-over door		

3.1) "Single-leaf" type systems

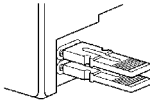
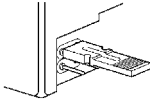
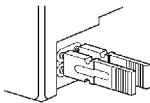
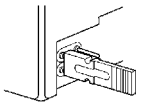
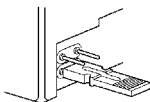
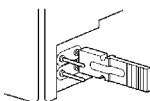
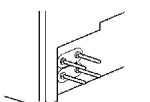
In "single-leaf" type systems the photocells can be positioned in the same way as for Figura 1 sliding gates or as for Figura 2 sectional doors.



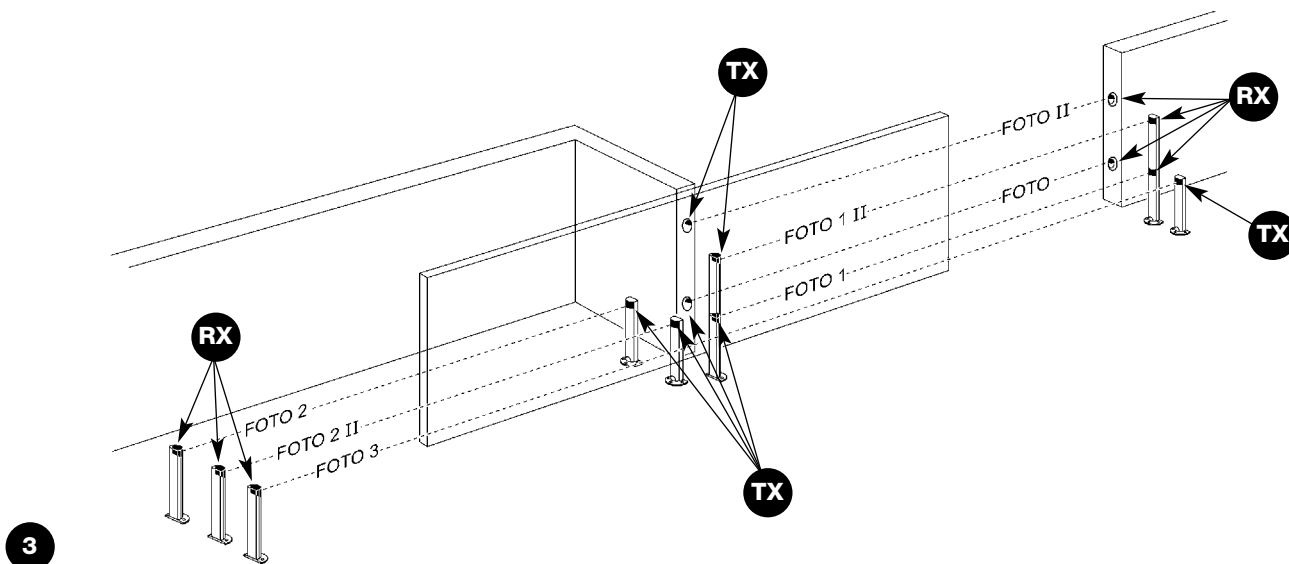
The figures show the maximum number of photocells possible, although a smaller number may be installed; during programming unit IB will automatically recognise the devices that are effectively connected.

For unit IB to identify photocells connected to bluebus each must be assigned an address in accordance with its specific function in the system. The addressing operation is performed by setting up the jumpers as specified in table 2 for each TX / RX pair.

Table 2: "Single-leaf" type systems

	Photocell	Jumpers	Activation on IB output
FOTO	"External low-mounted" photocell on sliding gate or internal low-mounted" photocell on sectional door with activation during closing.		"foto" relay (see note A).
FOTO II	"External high-mounted" photocell on sliding gate or "internal high-mounted" photocell on sectional door with activation during closing.		"foto" relay (see note A)
FOTO 1	"Internal low-mounted" photocell on sliding gate or "external low-mounted" photocell on sectional door with activation during closing.		"foto" relay (see note A)
FOTO 1 II	"Internal high-mounted" photocell on sliding gate or "external high-mounted" photocell on sectional door with activation during closing.		"foto" relay (see note A)
FOTO 2	"External" photocell with activation during opening.		"foto 2" relay (see note B)
FOTO 2 II	"Internal" photocell with activation during opening.		"foto 2" relay (see note B)
FOTO 3	Single" photocell covering the entire automation system with activation both during opening and during closing.		Both "foto" and "foto 2" relays (see note C)

NOTE (for FOTO 3): it is not normally necessary to observe any restrictions in the position of the pair of elements (TX-RX) that make up each photocell system; however, if photocell FOTO 3 is used in conjunction with photocell FOTO II, the positions illustrated in figure 3 must be observed.



Note A: photocells FOTO, FOTO II, FOTO 1 and FOTO 1 II change the status of the "foto" relay; when any one of these four photocells is engaged IB will open the contact of the "foto" output relay.

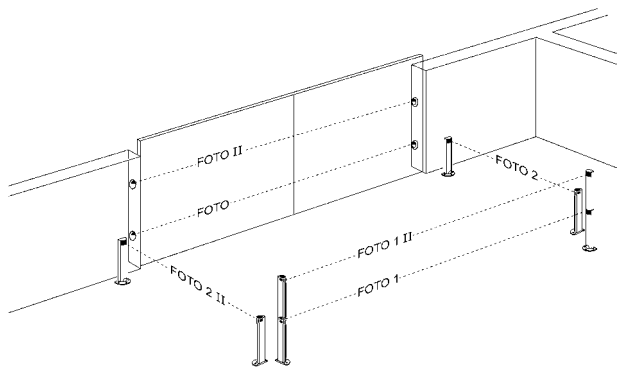
Note B: photocells FOTO 2 and FOTO 2 II change the status of the "foto 2" relay; when either of these two photocells is engaged IB will open the contact of the "foto 2" relay.

Note C: photocell FOTO 3 changes the status of the "foto" and "foto 2" relay; when this photocell is engaged IB will open the contacts of the two relays "foto" and "foto 2".

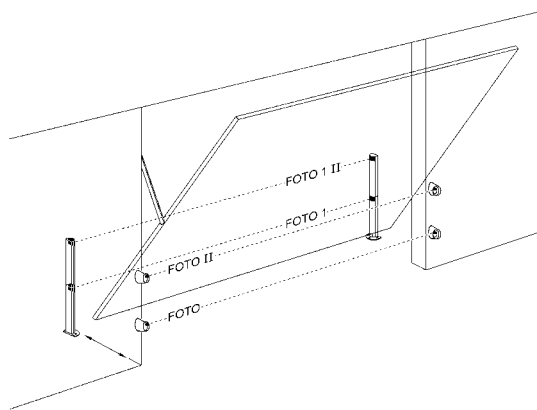
In "single leaf" configuration the "foto 1" relay output is not used and the contact remains constantly in the NO position.

3.2) "Double-leaf" type systems.

In automation systems for "double-leaf" doors or gates the photocells can be positioned as shown in figure 4 for gates or as shown in figure 5 for projecting up-and-over doors.



4



5

Warning: during the opening and closing phases the door must not engage photocells FOTO 1 and FOTO 1 II.

The figures show the maximum number of photocells possible, although a smaller number may be installed; during programming unit IB will automatically recognise the devices that are effectively connected.

For unit IB to identify photocells connected to bluebus each must be assigned an address in accordance with its specific function in the system. The addressing operation is performed by setting up the jumpers as specified in table 3 for each TX / RX pair.

Table 3 "Double-leaf" type systems

	Photocell	Jumpers	Activation on IB output
FOTO	"External low-mounted" photocell on double-leaf system or "internal low-mounted" photocell on projecting up-and-over door with activation during closing.		"foto" relay (see note A)
FOTO II	"Outside high-mounted" photocell on two-leaf system or "inside high-mounted" photocell on projecting up-and-over door with activation during closing.		"foto" relay (see note A)
FOTO 1	"Internal low-mounted" photocell on double-leaf system or "external low-mounted" photocell on projecting up-and-over door with activation both during closing and during opening.		"foto 1" relay (see note B)
FOTO 1 II	"Internal high-mounted" photocell on double-leaf system or "external high-mounted" photocell on projecting up-and-over door with activation both during closing and during opening.		"foto 1" relay (see note B)
FOTO 2	"Right-hand" photocell with activation during opening.		"foto 2" relay (see note C)
FOTO 2 II	"Left-hand" photocell with activation during opening.		"foto 2" relay (see note C)

Note A: photocells FOTO, FOTO II change the status of the "foto" relay: when either of these two photocells is engaged unit IB will open the contact of the "foto" output relay.

Note B: photocells FOTO 1 and FOTO 1 II change the status of the "foto 1" relay: when either of these two photocells is engaged unit IB will open the contact of the "foto 1" relay.

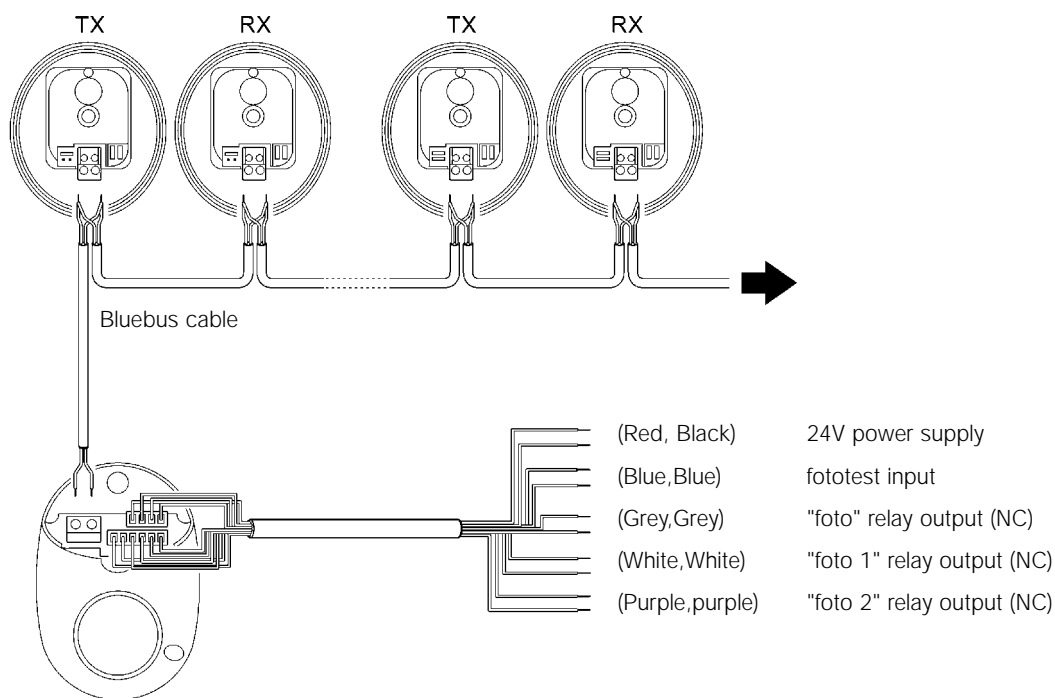
Note C: photocells FOTO 2 and FOTO 2 II change the status of the "foto 2" relay: when either of these two photocells is engaged unit IB will open the contact of the "foto 2" relay.

3.3) Electrical connections

Unit IB has 3 relay outputs: "foto", "foto 1" and "foto 2" with NC (normally closed) contact prearranged for connection to the corresponding inputs on automation system control units.

If the control unit is not equipped with one or more "foto" inputs the relative IB output wires must not be used, in this case it is pointless to install the photocells that would normally interact with these outputs.

For connection of bluebus devices use 2x0.5mm² cable up to a maximum length of 20m, and 2x1mm² cable up to a maximum length of 50m.



6

3.3.1) Description of connections.

The following is a brief description of the electrical connections relative to unit IB.

Table 4: Connections		
Wire colour	Function	Description.
Red,Black	24V ac/dc power supply	Power line 18÷28 Vac; 16÷35 Vdc
Blue,Blue	fototest	fototest input (normally active) (NC)
Grey, Grey	"foto" output	"foto" relay voltage-free contact output (NC)
White, White	"foto1" output	"foto1" relay voltage-free contact output (NC)
Purple, Purple	"foto2" output	"foto2" relay voltage-free contact output (NC)

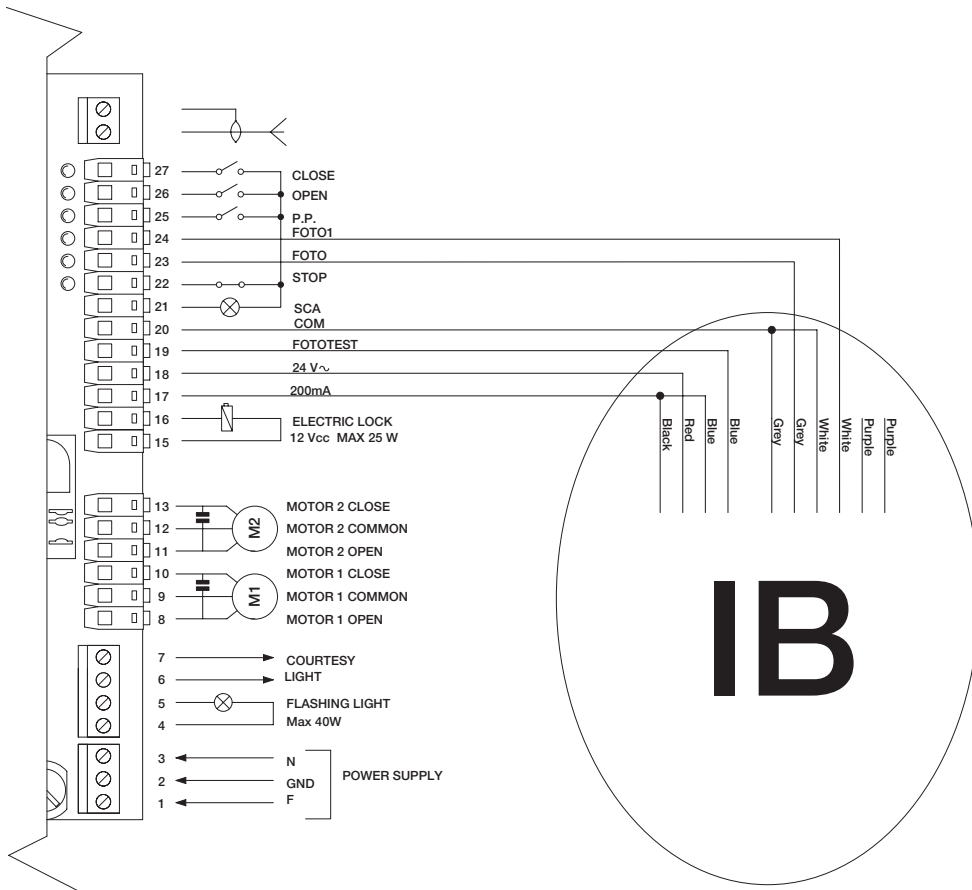
3.3.2) Fototest.

Unit IB is equipped with an input for testing the entire detector when so requested by the control unit, with the scope of attaining safety category 2 in compliance with EN 954-1

The IB unit fototest input must be connected to the control unit fototest output; there is no need to observe any particular polarity (see example in figure 7). If the control unit is not equipped with fototest or if it is not required, the fototest input must be connected to the same power supply as IB on the red and black wires (see example in figure 8).

3.3.3) Example of use of unit IB with A60 control unit and fototest.

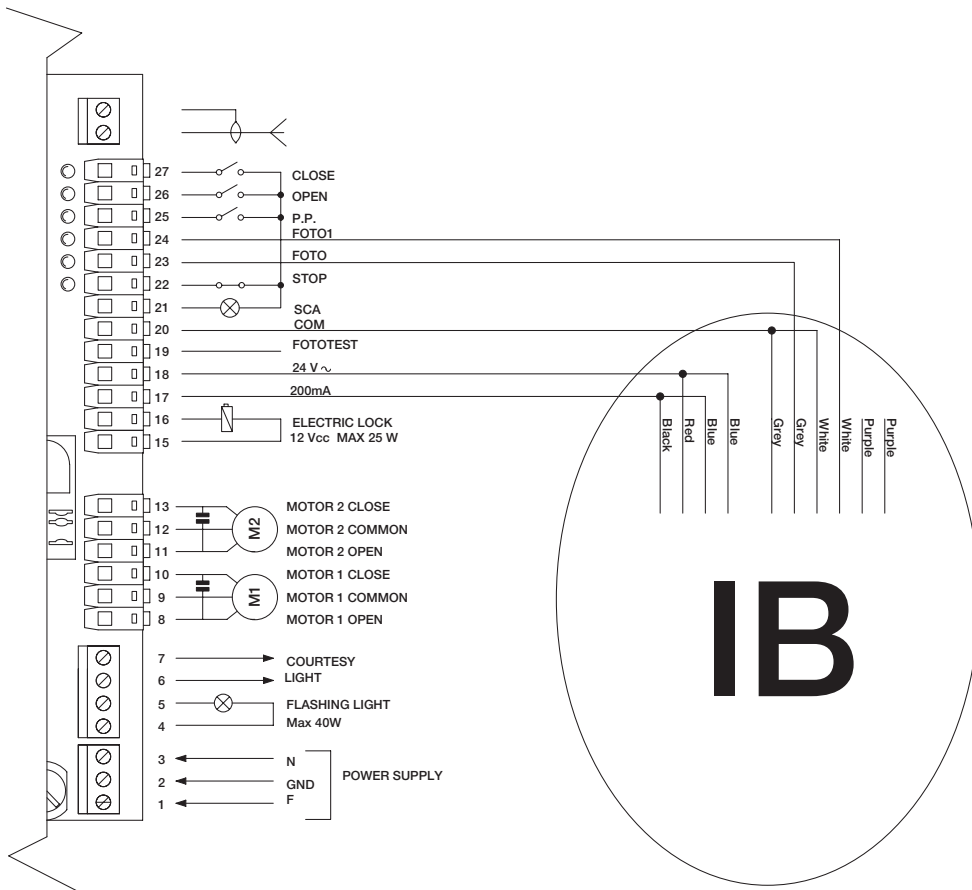
Figure 7 shows a connection example for unit IB with an A60 control unit with fototest.



7

3.3.4) Example of use of unit IB with A60 control unit without fototest.

Figure 8 shows a connection example of unit IB with an A60 control unit without fototest.

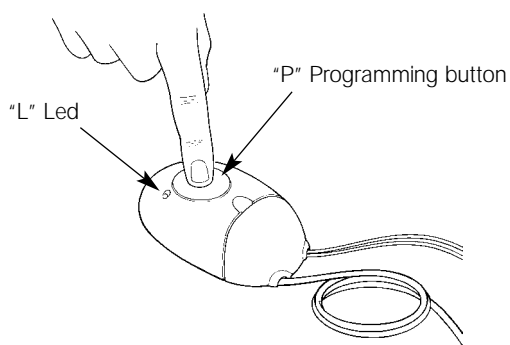


8

4) Programming

During the programming phase unit IB performs its auto-teach routine and checks that the photocells connected to bluebus are functioning correctly; all parameters remain stored also following a power loss. Programming must be executed in the automation system installation phase or whenever devices are added to or removed from the system. Programming is not required if the photocells are replaced, providing the new photocell is given the same address as the removed unit.

The two different automation types: "single leaf" and "double leaf" must be programmed by means of a different procedure: see table 5 for "single leaf" or table 6 for "double leaf".



9

Table 5: "Single-leaf"		type programming
1.	Press and hold down key "P"; LED "L" will light steadily after approximately 3 seconds	3s
2.	With the key still pressed wait for approximately 4 seconds so that IB can complete the connected devices auto-teach cycle. When the auto-teach cycle is terminated LED "L" switches off and then starts flashing as normal.	4s
3.	Release key "P".	

Note: for "single leaf" systems the link between the photocells and relays is shown in table 2

Table 6: "Double-leaf"		type programming
1.	Press and hold down key "P"; LED "L" will light steadily after approximately 3 seconds at which point release the key.	3s
2.	Wait for approximately 4 seconds so that IB can complete the connected devices auto-teach cycle. When the auto-teach cycle is terminated LED "L" switches off and then starts flashing as normal.	4s

Note: for "double leaf" systems the link between the photocells and relays is shown in table 3

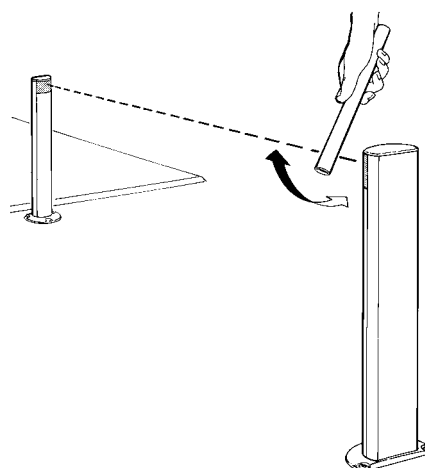
5) Testing and commissioning

Warning: the testing and commissioning operations must be performed by qualified and experienced personnel who must establish which tests to conduct on the basis of the risks involved, and verify the compliance of the system with applicable regulations, legislation and standards, in particular with all the provisions of EN standard 12445 which establishes the test methods for gate automation systems.

5.1) Testing

Testing is the most important stage in the automation system installation procedure in order to ensure the maximum safety levels. Testing can also be adopted as a method of periodically checking that all the various devices in the system are functioning correctly.

1. Ensure that the instructions outlined in chapter 1 "WARNINGS" have been observed in full.
2. Check that the photocells are functioning perfectly; check in particular that there is no interference with other devices. Take a 5 cm diameter cylinder 30 cm in length and cause it to transit across the optical axis first close to the transmitter (TX) and then close to the receiver (RX) and finally at the mid-point between the two, and check that the device trips in all cases, switching from active status to alarm status and vice versa.
3. For each photocell trip check also that the control unit performs the correct operation; e.g. activation of FOTO during the closing cycle should result in reversal of the direction of movement.



10

5.2) Commissioning

⚠ Warning: commissioning can take place only after all the testing phases of the automation system have been terminated successfully. It is not permissible to execute partial commissioning or to enable use of the system in makeshift conditions.

1. Before commissioning the automation system inform the owner of any residual hazards and risks.

2. When creating the technical folder to accompany the automation system the following documents are mandatory: assembly drawing (e.g. Figure 1), electrical wiring diagram (e.g. Figure 8), risk analysis and solutions adopted; declaration of conformity of the manufacturer of all the devices utilised (for unit IB use the "EC Declaration of Conformity" contained in this manual).

3. Include the maintenance prescriptions for unit IB with the system maintenance plan (see chapter 6).

6) Maintenance

⚠ Warning: maintenance operations must be performed in strict compliance with the safety directions provided in this manual and in compliance with applicable legislation and standards.

1. Periodically check unit IB and relative photocells (at least every 6 months). This procedure must be performed by executing all the tests and checks specified in heading 5.1 "Testing".

2. Check that unit IB does not display any signs of deterioration such as traces of humidity, oxidation, etc. If signs of deterioration are observed, unit IB must be replaced.

3. Unit IB is designed to function in normal conditions for at least 10 years, therefore the frequency maintenance should be increased once this period has elapsed.

7) Disposal

⚠ Warning: certain components of the unit may contain pollutants; do not pollute the environment.

This product is made from various kinds of material, some of which can be recycled. Make sure you recycle or dispose of the product in compliance with laws and regulations in force locally.

8) Diagnostics and signals

Unit IB is equipped with a LED "L" (see figure 7), the signals of which depend on the operating status.

Table 6: LED "L" diagnostics

LED "L" signals	Status	Action
0.5 seconds ON and 0.5 seconds OFF alternately	Normal operation	Device healthy
Off	IB not powered or faulty	Check power supply on red and black wires; if voltage is correct then unit IB is probably faulty.
Steadily illuminated	Programming or fault	During the programming phase it is normal for the LED to remain lit for approximately 4 seconds. In other circumstances this signal probably indicates the presence of a fault.
High frequency flashing	Initialisation or bluebus excessive current draw	As soon as power is connected it is normal for the LED to flash at high frequency for approximately 2 seconds. In other circumstances this signal indicates a bluebus overload; check connected devices for short circuits or faults.
High frequency flash repeated after one second intervals	Negative result of fototest	Check that the photocells are positioned as shown in the figures relative to the programming type. Ensure that no other optical devices are interfering with the photocells.
Two high frequency flashes repeated at one second intervals	Configuration of devices that are not installed	Program unit IB (see chapter 4)
Three high frequency flashes repeated at one second intervals	The devices currently installed on the bluebus are different from the devices stored in the memory	If devices have been added to or removed from the system the unit must be reprogrammed (see chapter 0)
Four high frequency flashes repeated at one second intervals	Data in the IB unit memory (devices) are incorrect	Repeat programming procedure (see chapter 4)
Five high frequency flashes repeated at one second intervals	Data in the IB unit memory (system type) are incorrect	Repeat programming procedure (see chapter 4)
Six high frequency flashes repeated at one second intervals	System type programming procedure has not been executed	Program unit IB (see chapter 4)

9) Technical specifications

NICE S.p.a. observes a continuous improvement policy and reserves the right to modify the technical specifications at any time without notice. In such cases specified functionality and intended use will not be affected.

Note: all technical specifications refer to a temperature of 20°C.

Product type	: Interface for detectors with bluebus technology and control units for door and gate automation systems with NC type input
Technology employed	: Cyclic polling of installed devices
Power supply	: 16÷35 Vdc 18÷28 Vac
Current draw with 24 Vdc power supply	: 50mA (add approx. 50mA for each pair of photocells).
Current draw with 24 Vac power supply	: 44mA (add approx. 40mA for each pair of photocells).
Bluebus output	: One with maximum load of 9 bluebus units
Total length of bluebus cable	: 50m
Fototest input power supply	: 16÷35 Vdc 18÷28 Vac
Fototest execution time	: < di 700ms
Number of outputs	: 3 ("foto", "foto 1", "foto 2")
Relay contact rating	: 0.5 A max. with 48 Vac/dc max.
Relay contacts lifetime	: > 600,000 cycles AC11 or DC11
Enclosure protection rating	: IP30
Use in acidic, saline or explosive atmosphere	: NO
Operating temperature	: -20°C + 55°C
Dimensions / weigh	: 86x58x22 mm / 72g

Nice S.p.a. reserves the right to modify its products at any time.

1) Avvertenze:

Il presente manuale è destinato solamente al personale tecnico qualificato per l'installazione; nessuna informazione contenuta nel presente fascicolo può essere considerata d'interesse per l'utilizzatore finale!

Questo manuale è riferito a IB e non deve essere utilizzato per prodotti diversi.

- L'installazione, il collaudo e la messa in servizio delle automazioni per porte e cancelli deve essere eseguita da personale qualificato ed esperto.
- Chi esegue l'installazione deve farsi carico di stabilire le prove previste in funzione dei rischi presenti e di verificare il rispetto di quanto previsto da leggi, normative e regolamenti.

• Prima di iniziare l'installazione è necessario leggere attentamente tutte le istruzioni: l'uso improprio o un errore di collegamento potrebbe pregiudicare la sicurezza o il corretto funzionamento dei dispositivi.

• Prima di iniziare l'installazione verificare l'idoneità del dispositivo all'uso richiesto; verificare con particolare attenzione la corrispondenza dei valori riportati nel capitolo "Caratteristiche tecniche"; in caso contrario IB non può essere usato.

2) Descrizione del prodotto e destinazione d'uso

Il dispositivo IB è una interfaccia che consente di collegare rilevatori di presenza con tecnologia bluebus (fotocelle MOFB e MOFOB) a centrali che prevedono ingressi per contatti tradizionali di tipo NC.

L'unione di IB con MOFB e MOFOB permette di realizzare rilevatori di presenza (tipo D secondo la norma 12453) utilizzabili in automatismi per cancelli e porte automatiche. Utilizzando la funzione di fototest è possibile raggiungere la categoria 2 di sicurezza ai guasti secondo la norma EN 954-1.

La tecnologia bluebus consente una facile installazione perché bastano due fili (senza polarità) per collegare in parallelo tutti i dispositivi; inoltre permette di risolvere il problema dell'interferenza tra i rilevatori attraverso un sistema di sincronismo automatico.

3) Installazione

⚠ L'installazione deve essere eseguita in assenza di tensione all'impianto.

Prima dell'installazione è necessario eseguire l'analisi dei rischi e valutare quanti rilevatori di presenza sono necessari in base all'impianto da automatizzare.

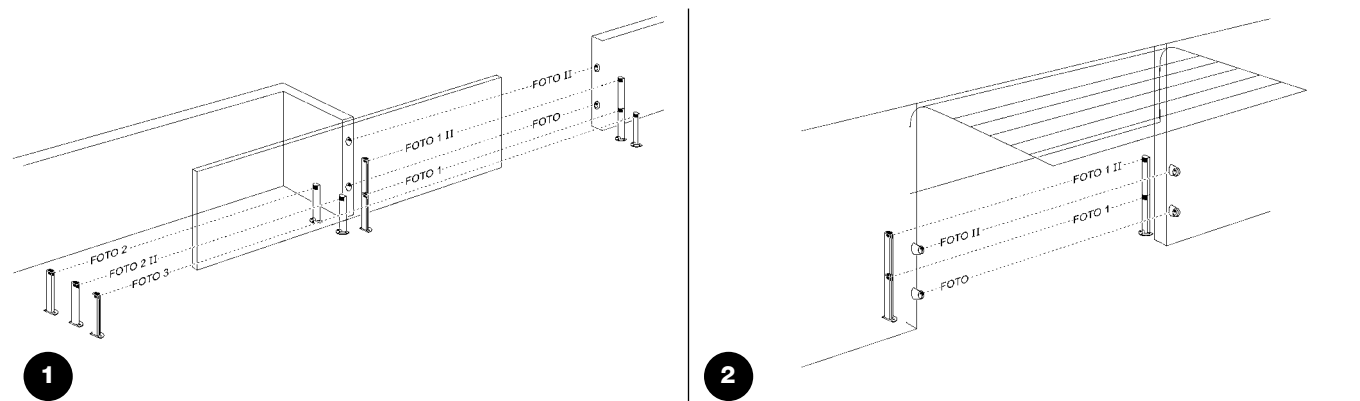
Il dispositivo IB può essere usato in vari tipi di impianti d'automazione per porte e cancelli, le possibilità di installazione dei rilevatori possono cambiare in funzione dell'impianto; vedere tabella 1 per l'installazione e la programmazione.

Tabella 1

Tipo di impianto	Installazione: vedere capitolo	Programmazione: vedere tabella
Cancello "scorrevole" Portone "sezionale"	3.1 Impianti tipo "una anta"	Tabella 5
Cancello ad "ante battenti" Portone "basculante debordante"	3.2 Impianti tipo "due ante"	Tabella 6

3.1) Impianti tipo "una anta"

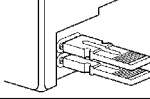
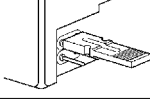
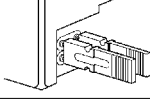
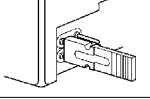
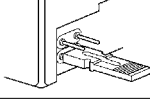
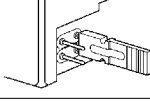
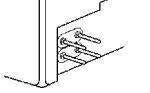
Nell'automazione di impianti tipo "una anta" le fotocelle possono essere poste come Figura 1 per cancelli scorrevoli oppure come in Figura 2 per portoni sezionali.



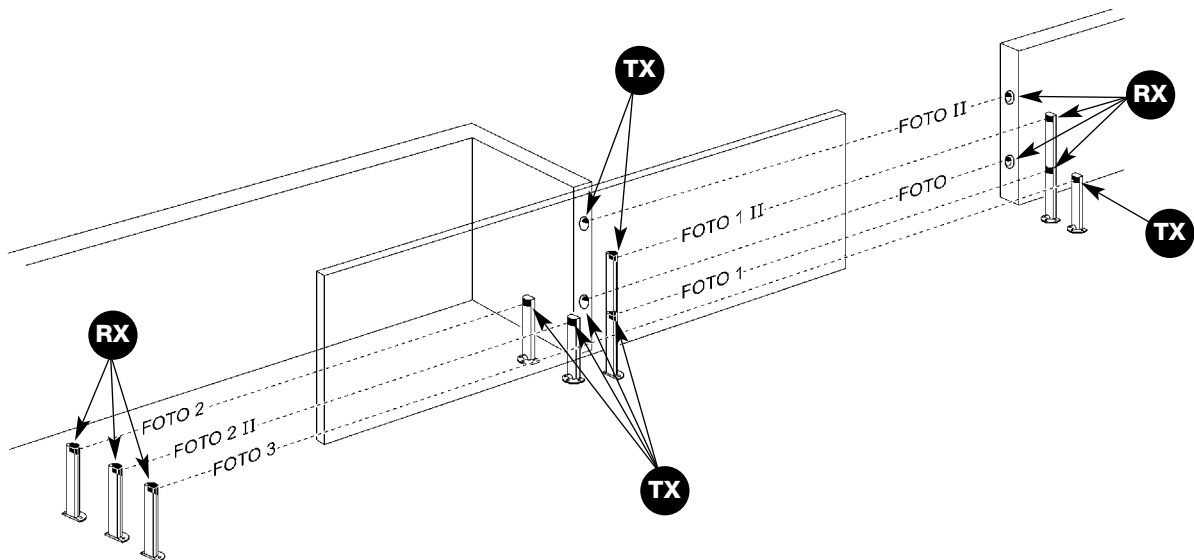
Nelle figure si rappresenta il numero massimo di fotocelle possibili ma se ne possono installare anche solo una parte; nella fase di programmazione IB riconoscerà automaticamente i dispositivi effettivamente presenti.

Perché IB possa riconoscere le fotocelle collegate a bluebus è necessario assegnare ad ognuna un indirizzo in base alla funzione svolta. L'operazione di indirizzamento avviene ponendo i ponticelli come previsto dalla tabella 2 su ogni coppia di TX ed RX.

Tabella 2 Impianti tipo "una anta"

	Fotocellula	Ponticelli	Intervento su uscita IB
FOTO	Fotocellula "esterna bassa" su scorrevole o "interna bassa" su sezionale con intervento in chiusura.		Relè "foto" (vedere nota A)
FOTO II	Fotocellula "esterna alta" su scorrevole o "interna alta" su sezionale con intervento in chiusura.		Relè "foto" (vedere nota A)
FOTO 1	Fotocellula "interna bassa" su scorrevole o "esterna bassa" su sezionale con intervento in chiusura.		Relè "foto" (vedere nota A)
FOTO 1 II	Fotocellula "interna alta" su scorrevole o "esterna alta" su sezionale con intervento in chiusura.		Relè "foto" (vedere nota A)
FOTO 2	Fotocellula "esterna" con intervento in apertura.		Relè "foto 2" (vedere nota B)
FOTO 2 II	Fotocellula "interna" con intervento in apertura.		Relè "foto 2" (vedere nota B)
FOTO 3	Fotocellula "unica" che copre tutto l'automatismo con intervento sia in apertura sia in chiusura.		Sia relè "foto" sia relè "foto 2" (vedere nota C)

Nota (per FOTO 3): normalmente non è necessario rispettare alcun vincolo nelle posizioni delle coppie di elementi (TX-RX) che compongono le varie fotocellule; solo nel caso venga utilizzata sia la fotocellula FOTO 3 con la fotocellula FOTO II è necessario rispettare la posizione degli elementi come indicato in figura 3.



Nota A: le fotocellule FOTO, FOTO II, FOTO 1 e FOTO 1 II agiscono sullo stato del relè "foto", è sufficiente che una delle quattro fotocellule sia oscurata perché IB apra il contatto del relè di uscita "foto".

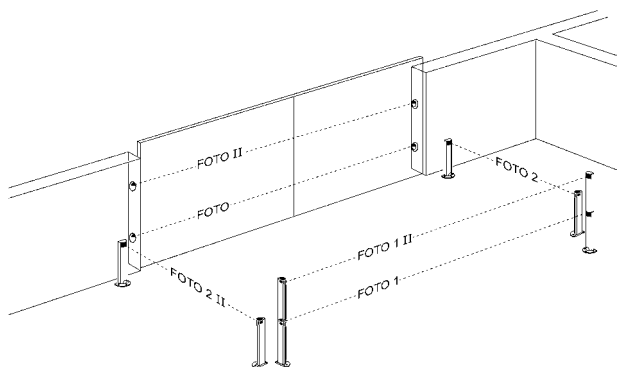
Nota B: le fotocellule FOTO 2 e FOTO 2 II agiscono sullo stato del relè "foto 2", è sufficiente che una delle due fotocellule sia oscurata perché IB apra il contatto del relè "foto 2".

Nota C: la fotocellula FOTO 3 agisce sullo stato del relè "foto" e "foto 2", è sufficiente che la fotocellula sia oscurata perché IB apra il contatto dei due relè "foto" e "foto 2".

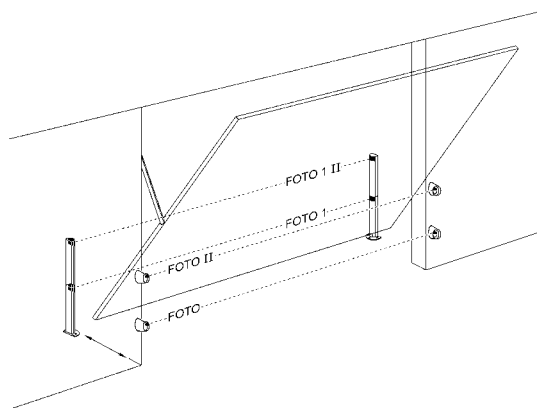
Nella configurazione "una anta" l'uscita relè "foto 1" non è usata ed il contatto rimane sempre in posizione NO.

3.2) Impianti tipo "due ante"

Nell'automazione di impianti tipo "due ante" le fotocellule possono essere poste come in figura 4 per cancelli a due ante battenti oppure come in figura 5 per portoni basculanti debordanti.



4



5

Attenzione: durante la fase di apertura o chiusura il portone non deve oscurare le fotocellule FOTO 1 e FOTO 1 II.

Nelle figure si rappresenta il numero massimo di fotocellule possibili ma se ne possono installare anche solo una parte; nella fase di programmazione IB riconoscerà automaticamente i dispositivi effettivamente presenti.

Perché IB possa riconoscere le fotocellule collegate a bluebus è necessario assegnare ad ognuna un indirizzo in base alla funzione svolta. L'operazione di indirizzamento avviene ponendo i ponticelli come previsto dalla tabella 3 su ogni coppia di TX ed RX.

Tabella 3 Impianti tipo "due ante"

	Fotocellula	Ponticelli	Intervento su uscita IB
FOTO	Fotocellula "esterna bassa" su due ante o "interna bassa" su basculante debordante con intervento in chiusura.		Relè "foto" (vedere nota A)
FOTO II	Fotocellula "esterna alta" su due ante o "interna alta" su basculante debordante con intervento in chiusura.		Relè "foto" (vedere nota A)
FOTO 1	Fotocellula "interna bassa" su due ante o "esterna bassa" su basculante debordante con intervento sia in chiusura sia in apertura.		Relè "foto 1" (vedere nota B)
FOTO 1 II	Fotocellula "interna alta" su due ante o "esterna alta" su basculante debordante con intervento sia in chiusura sia in apertura.		Relè "foto 1" (vedere nota B)
FOTO 2	Fotocellula "destra" con intervento in apertura.		Relè "foto 2" (vedere nota C)
FOTO 2 II	Fotocellula "sinistra" con intervento in apertura.		Relè "foto 2" (vedere nota C)

Nota A: le fotocellule FOTO, FOTO II, agiscono sullo stato del relè "foto", è sufficiente che una delle due fotocellule sia oscurata perché IB apra il contatto del relè di uscita "foto".

Nota B: le fotocellule FOTO 1 e FOTO 1 II agiscono sullo stato del relè "foto 1", è sufficiente che una delle due fotocellule sia oscurata perché IB apra il contatto del relè "foto 1".

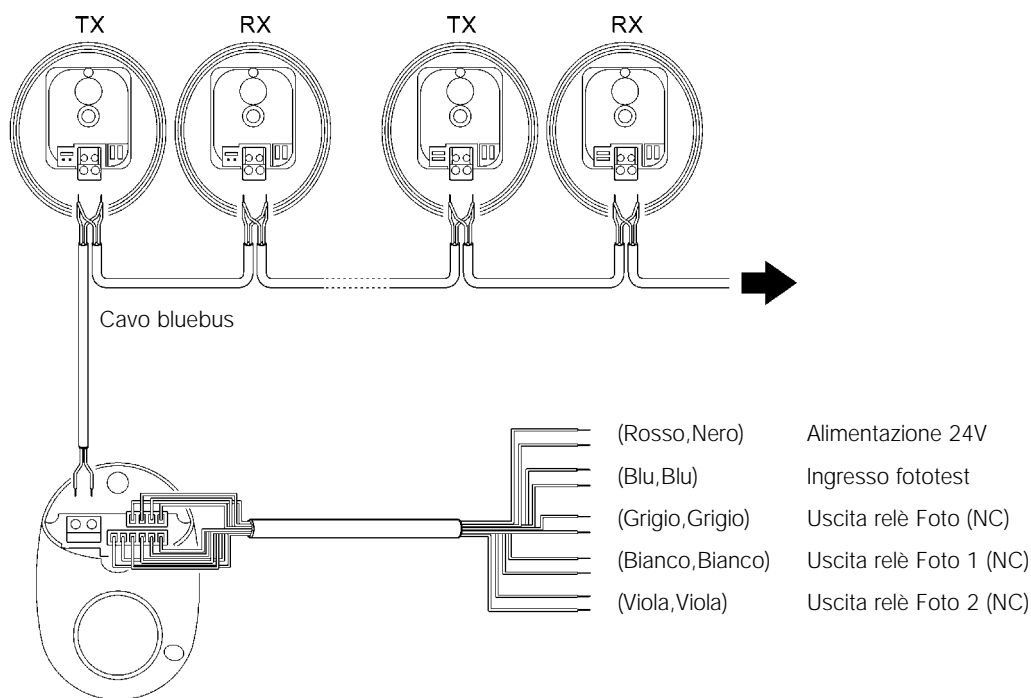
Nota C: le fotocellule FOTO 2 e FOTO 2 II agiscono sullo stato del relè "foto 2", è sufficiente che una delle due fotocellule sia oscurata perché IB apra il contatto del relè "foto 2".

3.3) Collegamenti elettrici

IB dispone di 3 uscite a relè "foto", "foto 1" e "foto 2" con contatto normalmente chiuso (NC) predisposte per essere collegate ai rispettivi ingressi delle centrali dell'automazione.

Nel caso la centrale non disponga di uno o più ingressi "foto" è necessario lasciare liberi i relativi cavetti di uscita di IB e come conseguenza è inutile installare le fotocellule che agirebbero su queste uscite.

Per il collegamento dei dispositivi bluebus è consigliabile usare cavo 2x0,5mm² fino ad una lunghezza di 20m, poi si consiglia di utilizzare cavo 2x1mm² per lunghezze fino a 50m.



6

3.3.1) Descrizione dei collegamenti.

Riportiamo una breve descrizione dei collegamenti elettrici dal dispositivo IB.

Tabella 4 Collegamenti

Colore cavetti	Funzione	Descrizione
Rosso, Nero	Alimentazione 24V ac/dc	Linea di alimentazione 18÷28 Vac; 16÷35 Vdc
Blu, Blu	Fototest	Ingresso (normalmente attivo) del fototest
Grigio, Grigio	Uscita "foto"	Uscita contatto pulito del relè "foto" (NC)
Bianco, Bianco	Uscita "foto1"	Uscita contatto pulito del relè "foto 1" (NC)
Viola, Viola	Uscita "foto 2"	Uscita contatto pulito del relè "foto 2" (NC)

3.3.2) Fototest

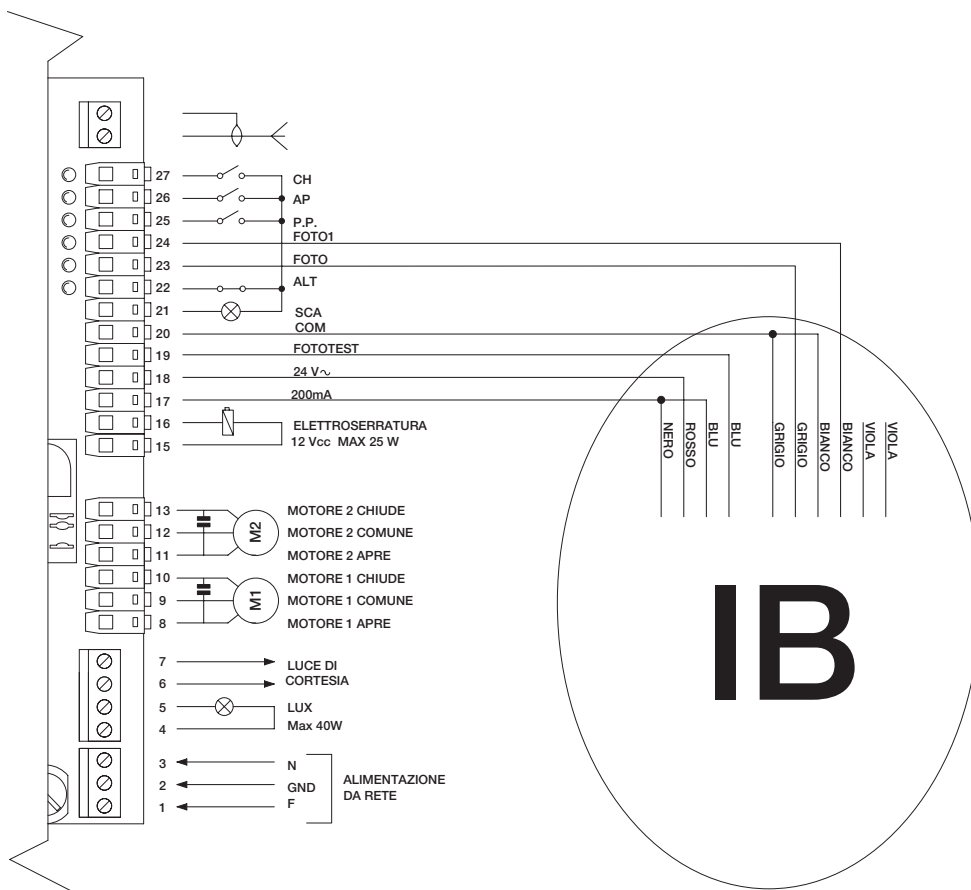
IB dispone di un ingresso per eseguire il test, quando la centrale lo richiede, dell'intero rilevatore di presenza con lo scopo di ottenere la categoria 2 di sicurezza ai guasti secondo la norma EN 954-1

L'ingresso fototest di IB deve essere collegato all'uscita fototest della centrale; non è necessario rispettare alcuna polarità (vedere esempio in figura 7).

Se la centrale non dispone di fototest oppure non si desidera usarlo, è necessario collegare l'ingresso di fototest alla stessa alimentazione di IB sui fili rosso e nero (vedere esempio in figura 8).

3.3.3) Esempio d'utilizzo di IB con centrale A60 e fototest.

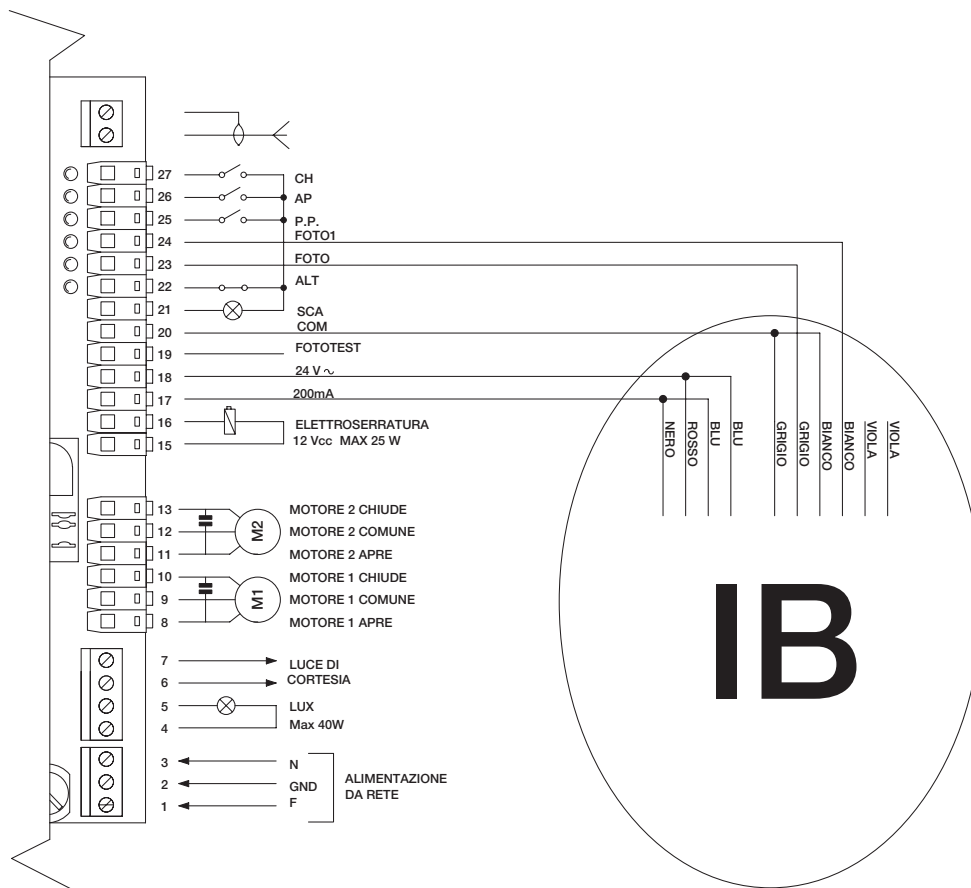
La figura 7 è un esempio di collegamento del dispositivo IB ad una centrale A60 con fototest.



7

3.3.4) Esempio d'utilizzo di IB con centrale A60 senza fototest

La figura 8 è un esempio di collegamento del dispositivo IB ad una centrale A60 senza fototest.

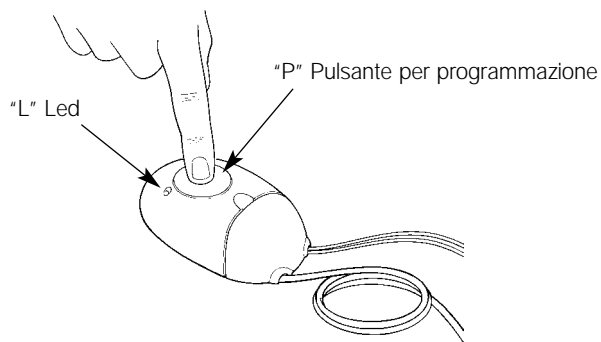


8







4) Programmazione

Durante la fase di programmazione IB esegue l'autoapprendimento e la verifica del corretto funzionamento delle fotocellule collegate a blue-bus; tutti i parametri rimangono memorizzati anche in assenza di alimentazione. La programmazione deve essere eseguita in fase di installazione dell'automazione, oppure ogni volta che si aggiungono o rimuovono dei dispositivi. Non è necessaria la programmazione quando si sostituiscono delle fotocellule se si mantiene lo stesso indirizzo dell'originale.




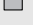

Le due diverse tipologie di automazione, "una anta" e "due ante" devono essere programmate tramite una diversa procedura di programmazione: vedere tabella 5 per "una anta" o tabella 6 per "due ante".



9

Tabella 5	Programmazione tipo "una anta"	Esempio
1.	Premere e tenere premuto il tasto "P", dopo circa tre secondi il led "L" si accende a luce fissa	  3s
2.	Con il pulsante ancora premuto attendere circa quattro secondi che IB completi l'apprendimento dei dispositivi collegati, al termine dell'apprendimento il led "L" si spegne e riprende il normale lampeggio	   4s
3.	Rilasciare il pulsante "P"	

Nota: per gli impianti tipo "una anta" il legame tra le fotocellule ed i relè è riportato in tabella 2

Tabella 6	Programmazione tipo "due ante"	Esempio
1.	Premere e tenere premuto il tasto "P", dopo circa tre secondi il led "L" si accende a luce fissa, quindi rilasciare il tasto.	  3s
2.	Attendere circa quattro secondi che IB completi l'apprendimento dei dispositivi collegati, al termine dell'apprendimento il led "L" si spegne e riprende il normale lampeggio.	   4s

Nota: per gli impianti tipo "due ante" il legame tra le fotocellule ed i relè è riportato in tabella 3

5) Collaudo e messa in servizio

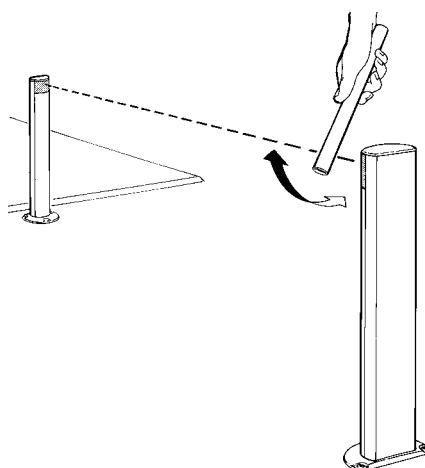
⚠ Attenzione: il collaudo e la messa in servizio dell'automazione deve essere eseguita da personale qualificato ed esperto che dovrà farsi carico di stabilire le prove previste in funzione dei rischi presenti; di verificare il rispetto di quanto previsto da leggi, normative, regolamenti ed in particolare tutti i requisiti della norma EN 12445, la quale stabilisce i metodi di prova per la verifica degli automatismi per cancelli.

5.1) Collaudo

Il collaudo è la fase più importante nella realizzazione dell'automazione al fine di garantire la massima sicurezza.

Il collaudo può essere usato anche come verifica periodica dei dispositivi che compongono il sistema.

1. Verificare che sia stato rispettato rigorosamente quanto previsto nel capitolo 1 "AVVERTENZE".
2. Verificare il perfetto funzionamento delle fotocellule ed in particolare che non vi siano interferenze con altri dispositivi. Passare un cilindro di diametro 5cm e lunghezza 30 cm sull'asse ottico prima vicino al TX, poi vicino al RX e infine al centro tra i due e verificare che in tutti i casi il dispositivo intervenga passando dallo stato di attivo a quello di allarme e viceversa.
3. Verificare che, per ogni intervento di fotocellula, la centrale esegua l'operazione prevista; ad esempio intervenendo su FOTO nella manovra di chiusura avvenga l'inversione del movimento.



10

5.2) Messa in servizio

⚠ Attenzione: la messa in servizio può avvenire solo dopo aver eseguito con esito positivo tutte le fasi di collaudo dell'automazione. Non è consentita la messa in servizio parziale o in situazioni "provvisorie".

1. Prima di mettere in servizio l'automatismo informare adeguatamente il proprietario sui pericoli ed i rischi eventualmente ancora presenti.

2. Nel realizzare il fascicolo tecnico dell'automazione si dovrà comprendere almeno: disegno complessivo (ad esempio Figura 1), schema dei collegamenti elettrici (ad esempio Figura 8), analisi dei rischi e relative soluzioni adottate; la dichiarazione di conformità del fabbricante di tutti i dispositivi utilizzati (per IB utilizzare la "Dichiarazione CE di conformità" presente su questo manuale).

3. Nel piano di manutenzione inserire le prescrizioni sulla manutenzione di IB (vedere capitolo 6).

6) Manutenzione

⚠ Attenzione: la manutenzione deve essere effettuata nel pieno rispetto delle prescrizioni sulla sicurezza del presente manuale e secondo quanto previsto dalle leggi e normative vigenti.

1. Verificare periodicamente, almeno ogni 6 mesi, il dispositivo IB e le relative fotocellule. A tale scopo eseguire per intero le prove e le verifiche previste nel paragrafo "5.1 Collaudo".

2. Nel dispositivo IB verificare che non ci sia la presenza di tracce che possano indicare rischi di non perfetto stato di conservazione, ad esempio tracce di umidità, ossidi, ecc. In questo caso IB va sostituito.

3. Il dispositivo IB è stato studiato per funzionare in condizioni normali almeno 10 anni, è quindi opportuno intensificare la frequenza di manutenzione trascorso questo periodo.

7) Smaltimento

⚠ Attenzione: alcuni componenti potrebbero contenere sostanze inquinanti, non disperdere nell'ambiente.

Questo prodotto è costituito da vari tipi di materiali, alcuni dei quali possono essere riciclati. Informatevi sui sistemi di riciclaggio o smaltimento del prodotto attenendovi alle norme di legge vigenti a livello locale.

8) Diagnostica e segnalazioni

Sul dispositivo IB è presente un led "L" (vedere figura 7) che fornisce delle segnalazioni luminose in base allo stato di funzionamento.

Tabella 6 diagnostica led "L"

Segnalazione Led L	Stato	Azione
0,5 secondi ON e 0,5 secondi OFF alternativamente	Funzionamento normale	Tutto OK
Spento	IB non alimentato oppure guasto	Verificare la tensione sui cavetti rosso e nero, se la tensione è corretta è probabile che IB sia guasto
Acceso fisso	Programmazione oppure guasto	Durante la fase di programmazione è normale che il led rimanga acceso per circa 4 secondi Altrimenti è probabile ci sia un guasto
Lampeggio veloce	Inizializzazione oppure assorbimento di corrente eccessivo nel "bluebus"	Appena data alimentazione è normale un lampeggio veloce per circa 2 secondi Altrimenti c'è un sovraccarico nel "bluebus"; controllare che non ci siano cortocircuiti o guasti sui dispositivi collegati
Un lampeggio veloce ripetuto dopo un secondo	Esito negativo nel fototest	Controllare di aver posizionato le fotocellule come indicato nelle figure relative alla programmazione. Controllare che non ci siano altri dispositivi ottici che interferiscono con le fotocellule.
Due lampeggi veloci ripetuti dopo un secondo	Configurazione dispositivi assente	Eseguire la programmazione (vedi capitolo 4)
Tre lampeggi veloci ripetuti dopo un secondo	I dispositivi attualmente presenti sul bluebus sono diversi da quelli memorizzati	Se sono stati aggiunti o tolti dei dispositivi è necessario rifare la programmazione (vedi capitolo 4)
Quattro lampeggi veloci ripetuti dopo un secondo	I dati nella memoria di IB (dispositivi) non sono corretti	Si consiglia di rifare la programmazione (vedi capitolo 4)
Cinque lampeggi veloci ripetuti dopo un secondo	I dati nella memoria di IB (tipo impianto) non sono corretti	Si consiglia di rifare la programmazione (vedi capitolo 4)
Sei lampeggi veloci ripetuti dopo un secondo	La programmazione del tipo di impianto non è mai stata eseguita	Eseguire la programmazione (vedi capitolo 4)

9) Caratteristiche tecniche

Allo scopo di migliorare i prodotti, NICE S.p.A. si riserva il diritto di modificare le caratteristiche tecniche in qualsiasi momento e senza preavviso, garantendo comunque funzionalità e destinazione d'uso previste.

Nota: tutte le caratteristiche tecniche sono riferite alla temperatura di 20°C.

Tipo di prodotto	: Interfaccia per rilevatori di presenza con tecnologia bluebus e centrali per automazione di porte e cancelli con ingresso tipo NC
Tecnologia adottata	: Interrogazione ciclica dei dispositivi presenti
Alimentazione	: 16÷35 Vdc 18÷28 Vac
Assorbimento con alimentazione 24 Vdc	: 50mA (aggiungere circa 50mA per ogni coppia di fotocellule).
Assorbimento con alimentazione 24 Vac	: 44mA (aggiungere circa 40mA per ogni coppia di fotocellule).
Uscita bluebus	: Una con un carico massimo di 9 unità bluebus
Lunghezza massima complessiva cavo bluebus	: 50m
Alimentazione Ingresso fototest	: 16÷35 Vdc 18÷28 Vac
Tempo per l'esecuzione del fototest	: < di 700ms
Numero uscite	: 3 ("foto", "foto 1", "foto 2")
Caratteristica contatti relè	: Massimo 0.5 A con massimo 48 Vac/dc
Durata contatti relè	: > a 600.000 interventi AC11 o DC11
Grado di protezione contenitore	: IP30
Utilizzo in atmosfera acida, salina o potenzialmente esplosiva	: NO
Temperatura di esercizio	: -20°C + 55°C
Dimensioni / peso	: 86x58x22 mm / 72g

Nice S.p.a. si riserva il diritto di apportare modifiche ai prodotti in qualsiasi momento riterrà necessario

1) Avertissements:

Ce manuel est destiné exclusivement au personnel technique qualifié pour l'installation; aucune information contenue dans ce fascicule ne peut être considérée comme intéressante pour l'utilisateur final!

Ce manuel se réfère à IB et ne doit pas être utilisé pour des produits différents.

- L'installation, l'essai et la mise en service des automatismes pour portes et portails doit être effectuée par du personnel qualifié et expérimenté.
- Qui effectue l'installation doit se charger d'établir les essais prévus en fonction des risques présents et de vérifier le respect de ce qui est prévu par les lois, les normes et les réglementations.

• Avant de commencer l'installation, il faut lire attentivement toutes les instructions: l'utilisation impropre ou une erreur de connexion pourrait compromettre la sécurité ou le fonctionnement correct des dispositifs.

• Avant de commencer l'installation, vérifier que le dispositif est adapté à l'application souhaitée; vérifier en particulier la correspondance des valeurs indiquées dans le chapitre "Caractéristiques techniques"; en cas contraire, IB ne peut pas être utilisé.

2) Description du produit et application

Le dispositif IB est une interface qui permet de connecter des détecteurs de présence avec technologie bluebus (photocellules MOFB et MOFOB) à des logiques de commande qui prévoient des entrées pour contacts traditionnels de type NC.

L'union d'IB avec MOFB et MOFOB permet de réaliser des détecteurs de présence (type D selon la norme 12453) utilisables dans des automatismes pour portails et portes automatiques. En utilisant la fonction de fototest, il est possible d'atteindre la catégorie 2 de

sécurité aux pannes selon la norme EN 954-1.

La technologie bluebus permet une installation aisée car il suffit de deux fils (sans polarité) pour connecter en parallèle tous les dispositifs; en outre, cela permet de résoudre le problème de l'interférence entre les détecteurs à travers un système de synchronisme automatique.

3) Installation

⚠ Attention: l'installation doit être effectuée en l'absence de tension dans l'installation.

Attention: avant l'installation, il faut effectuer l'analyse des risques et évaluer combien de détecteurs de présence sont nécessaires suivant l'installation à automatiser.

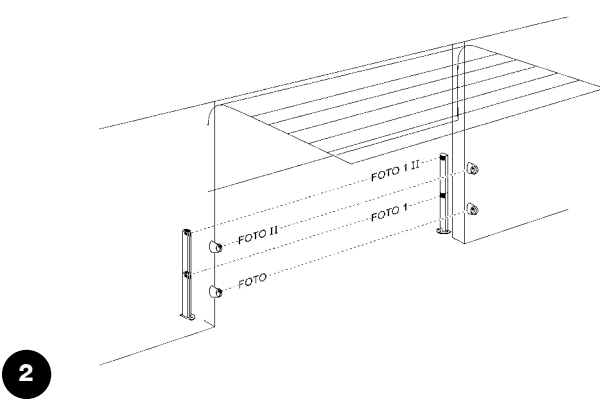
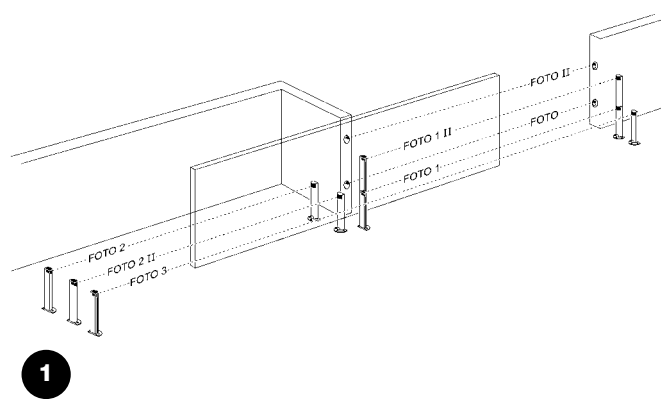
Le dispositif IB peut être utilisé dans différents types d'automatismes de portes et de portails, les possibilités d'installation des détecteurs peuvent changer en fonction de l'installation; voir tableau 1 pour l'installation et la programmation.

Tableau 1

Type d'automatisme	Installation: voir chapitre	Programmation: voir tableau
Portail "coulissant"	3.1 Automatismes type "un élément"	Tableau 5
Porte "sectionnelle"	3.2 Automatismes type "deux éléments"	Tableau 6
Portail à "battants"		
Porte "basculante débordante"		

3.1) Automatismes type "un élément"

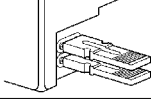
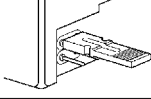
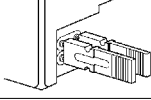
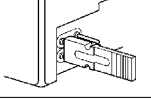
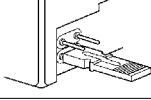
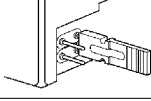
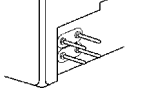
Dans les automatismes type "un élément" les photocellules peuvent être disposées comme dans la Figure 1 pour les portails coulissants ou bien comme dans la Figure 2 pour les portes sectionnelles.



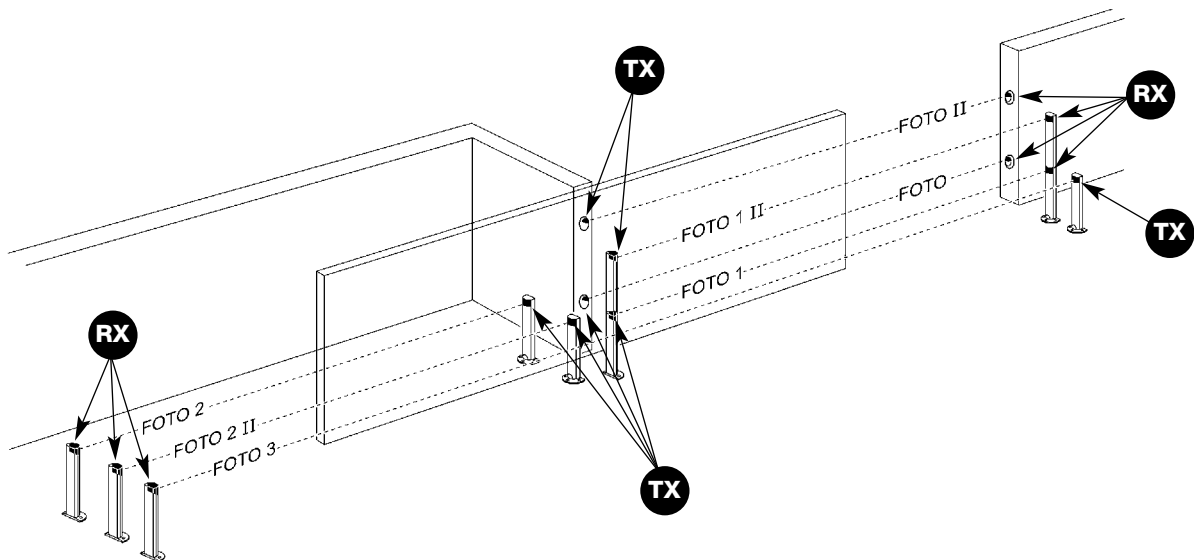
Dans les figures, on représente le nombre maximum de photocellules possibles mais on peut n'en installer qu'une partie; en phase de programmation, IB reconnaîtra automatiquement les dispositifs effectivement présents.

Pour qu'IB puisse reconnaître les photocellules connectées à bluebus il faut attribuer à chacune d'elle une adresse suivant la fonction exercée. L'opération d'adressage s'effectue en plaçant les cavaliers suivant les indications du tableau 2 sur chaque paire de TX et RX.

Tableau 2 Automatismes type "un élément"

	Photocellule	Ponticelli	Cavaliers Intervention sur sortie IB
FOTO	Photocellule "extérieure basse" sur portail coulissant ou "intérieure basse" sur porte sectionnelle avec intervention en fermeture.		Relais "foto" (voir note A)
FOTO II	Photocellule "extérieure haute" sur portail coulissant ou "intérieure haute" sur porte sectionnelle avec intervention en fermeture.		Relais "foto" (voir note A)
FOTO 1	Photocellule "intérieure basse" sur portail coulissant ou "extérieure basse" sur porte sectionnelle avec intervention en fermeture.		Relais "foto" (voir note A)
FOTO 1 II	Photocellule "intérieure haute" sur portail coulissant ou "extérieure haute" sur porte sectionnelle avec intervention en fermeture		Relais "foto" (voir note A)
FOTO 2	Photocellule "extérieure" avec intervention en ouverture.		Relais "foto 2" (voir note B)
FOTO 2 II	Photocellule "intérieure" avec intervention en ouverture.		Relais "foto 2" (voir note B)
FOTO 3	Photocellule "unique" couvrant tout l'automatisme avec avec intervention aussi bien en ouverture qu'en fermeture		Aussi bien relais "foto" que relais "foto 2" (voir note C)

NOTE (pour FOTO 3): normalement il n'y a aucune contrainte à respecter dans le positionnement des paires d'éléments (TX-RX) qui composent les différentes photocellules; uniquement si on utilise la photocellule FOTO 3 avec la photocellule FOTO II, il faut respecter la position des éléments comme l'indique la figure 3.



Note A: les photocellules FOTO, FOTO II, FOTO 1 et FOTO 1 II agissent sur l'état du relais "foto", il suffit que l'une des quatre photocellules soit obscurcie pour qu'IB ouvre le contact du relais de sortie "foto".

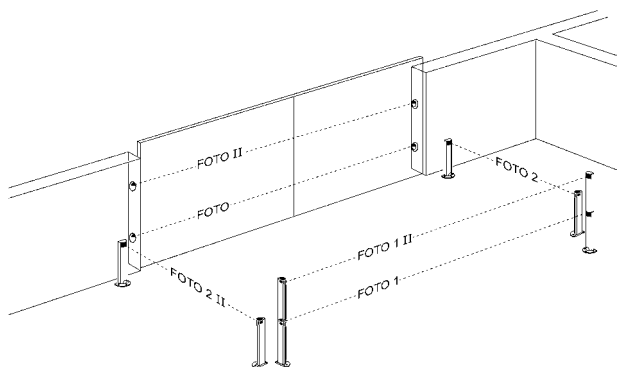
Note B: les photocellules FOTO 2 et FOTO 2 II agissent sur l'état relais "foto 2", il suffit que l'une des deux photocellules soit obscurcie pour qu'IB ouvre le contact du relais "foto 2".

Note C: la photocellule FOTO 3 agit sur l'état du relais "foto" et "foto 2", il suffit que la photocellule soit obscurcie pour qu'IB ouvre le contact des deux relais "foto" et "foto 2".

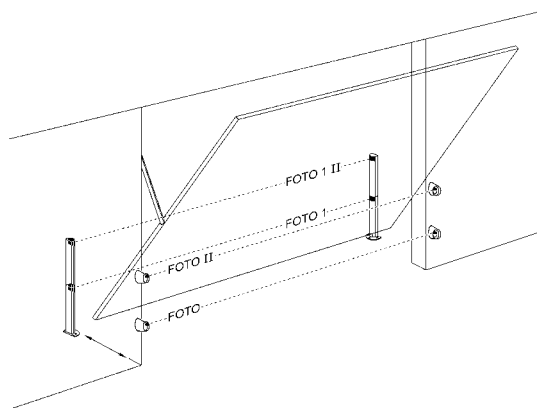
Dans la configuration "un élément" la sortie relais "foto 1" n'est pas utilisée et le contact reste toujours en position NO.

3.2) Automatismes type “deux éléments”.

Dans les automatismes type “deux éléments” les photocellules peuvent être placées comme dans la figure 4 pour les portails à deux battants ou comme dans la figure 5 pour les portes basculantes débordantes.



4



5

Attention: durant la phase d’ouverture ou de fermeture, la porte ne doit pas obscurcir les photocellules FOTO 1 et FOTO 1 II.

Dans les figures, on représente le nombre maximum de photocellules possibles mais on peut n’en installer qu’une partie; en phase de programmation, IB reconnaitra automatiquement les dispositifs effectivement présents.

Pour qu’IB puisse reconnaître les photocellules connectées à bluebus il faut attribuer à chacune d’elle une adresse suivant la fonction exercée. L’opération d’adressage s’effectue en plaçant les cavaliers suivant les indications du tableau 3 sur chaque paire de TX et RX.

Tableau 3: Automatismes type “deux éléments”

	Photocellule	Cavaliers	Intervention sur sortie IB
FOTO	Photocellule “extérieure basse” sur deux éléments ou “intérieure basse” sur porte basculante débordante avec intervention en fermeture.		Relais “foto” (voir note A)
FOTO II	Photocellule “extérieure haute” sur deux éléments ou “intérieure haute” sur porte basculante débordante avec intervention en fermeture.		Relais “foto” (voir note A)
FOTO 1	Photocellule “intérieure basse” sur deux éléments ou “extérieure basse” sur porte basculante débordante avec intervention en fermeture et en ouverture.		Relais “foto 1” (voir note B)
FOTO 1 II	Photocellule “intérieure haute” sur deux éléments ou “extérieure haute” sur porte basculante débordante avec intervention en fermeture et en ouverture.		Relais “foto 1” (voir note B)
FOTO 2	Photocellule “droite” avec intervention en ouverture.		Relais “foto 2” (voir note C)
FOTO 2 II	Photocellule “gauche” avec intervention en ouverture.		Relais “foto 2” (voir note C)

Note A: les photocellules FOTO, FOTO II, agissent sur l’état du relais “foto”, il suffit que l’une des deux photocellules soit obscurcie pour qu’IB ouvre le contact du relais de sortie “foto”.

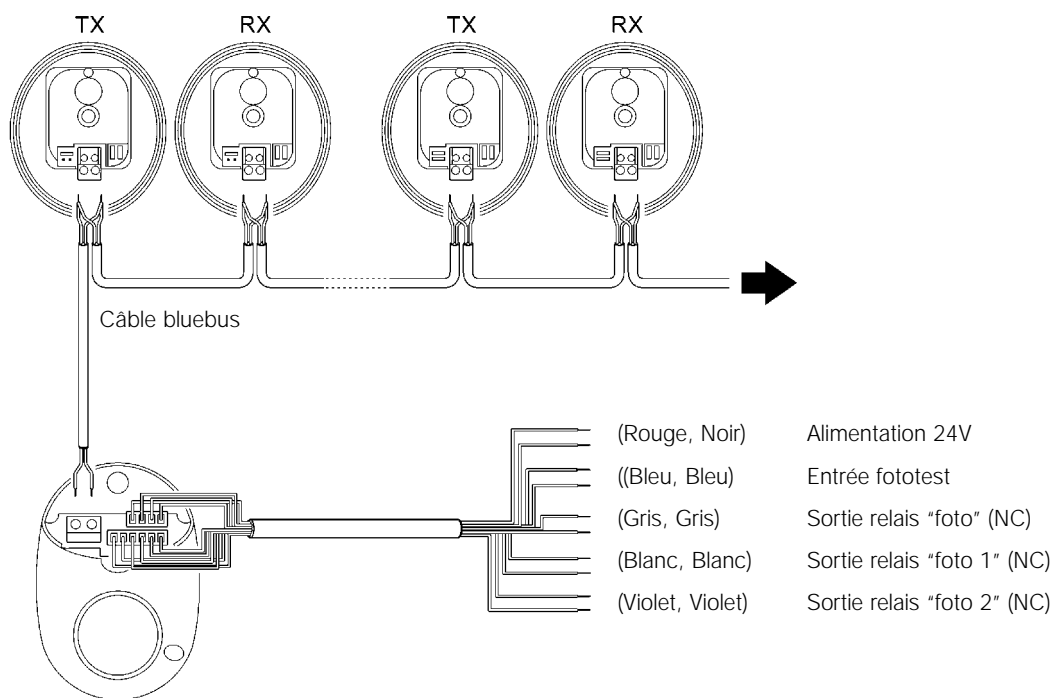
Note B: les photocellules FOTO 1 et FOTO 1 II agissent sur l’état du relais “foto 1”, il suffit que l’une des deux photocellules soit obscurcie pour qu’IB ouvre le contact du relais “foto 1”.

Note C: les photocellules FOTO 2 et FOTO 2 II agissent sur l’état du relais “foto 2”, il suffit que l’une des deux photocellules soit obscurcie pour qu’IB ouvre le contact du relais “foto 2”.

3.3) Connexions électriques.

IB dispose de 3 sorties à relais "foto", "foto 1" et "foto 2" avec contact normalement fermé (NC) prévues pour être connectées aux entrées respectives des logiques de commande de l'automatisme. Si la logique de commande ne dispose pas d'une ou plusieurs entrées "foto" il faut laisser libres les câbles de sortie correspondants sur IB et il est donc inutile d'installer les photocellules qui agiraient sur ces sorties.

Pour la connexion des dispositifs bluebus, il est conseillé d'utiliser un câble de 2x0,5mm² jusqu'à une longueur de 20m, et un câble de 2x1mm² pour les longueurs jusqu'à 50m.



6

3.3.1) Description des connexions.

Nous donnons une brève description des connexions électriques du dispositif IB.

Tableau 4: Connexions		
Couleur câbles	Fonction	Description.
Rouge, Noir	Alimentation 24 Vac/dc	Ligne d'alimentation 18 ÷ 28 Vac; 16 ÷ 35 Vdc
Bleu, Bleu	Fototest	Entrée (normalement active) du fototest
Gris, Gris	Sortie "foto"	Sortie contact sans potentiel du relais "foto" NC
Blanc, Blanc	Sortie "foto1"	Sortie contact sans potentiel du relais "foto 1" NC
Violet, Violet	Sortie "foto 2"	Sortie contact sans potentiel du relais "foto 2" NC

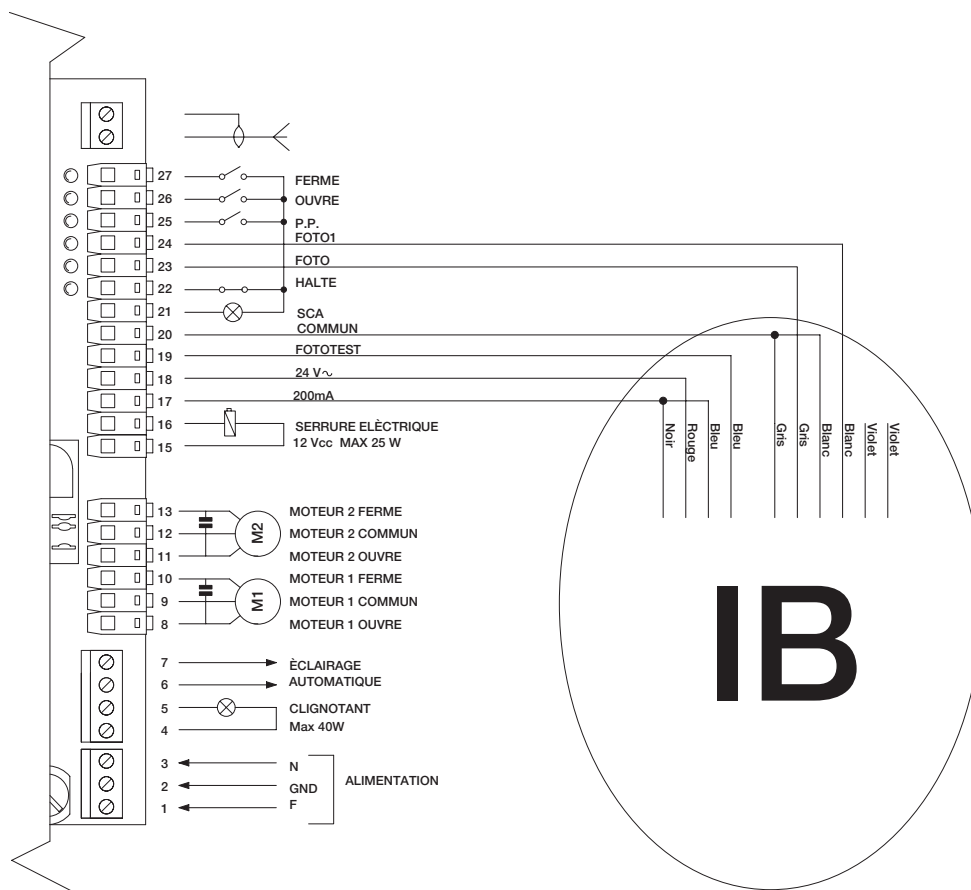
3.3.2) Fototest

IB dispose d'une entrée pour effectuer le test, quand la logique de commande le demande, de tout le détecteur de présence, dans le but d'obtenir la catégorie 2 de sécurité aux pannes selon la norme EN 954-1

L'entrée fototest d'IB doit être connectée à la sortie fototest de la logique de commande; il n'est pas nécessaire de respecter une polarité quelconque (voir exemple figure 7). Si la logique de commande ne dispose pas de fototest ou si l'on ne souhaite pas l'utiliser, il faut connecter l'entrée de fototest à l'alimentation d'IB sur les conducteurs rouge et noir (voir exemple figure 8).

3.3.3) Exemple d'utilisation d'IB avec logique de commande A60 et fototest.

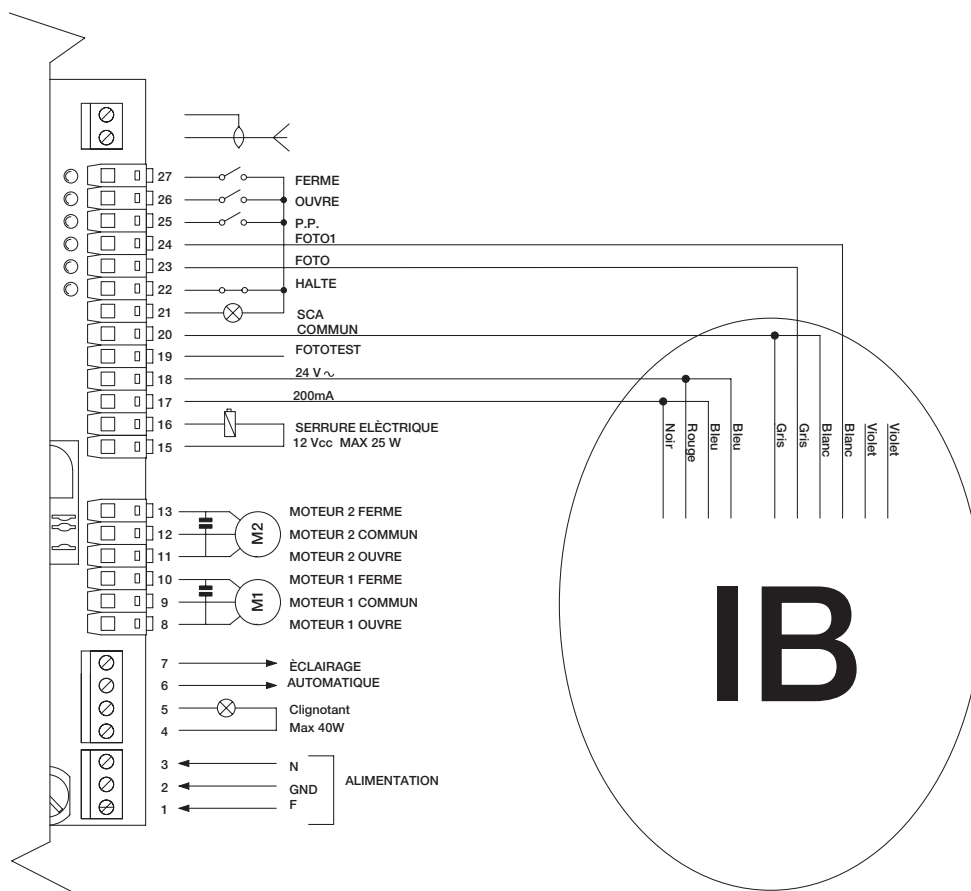
La figure 7 est un exemple de connexion du dispositif IB à une logique de commande A60 avec fototest.



7

3.3.4) Exemple d'utilisation d'IB avec logique de commande A60 sans fototest.

La figure 8 est un exemple de connexion du dispositif IB à une logique de commande A60 sans fototest.

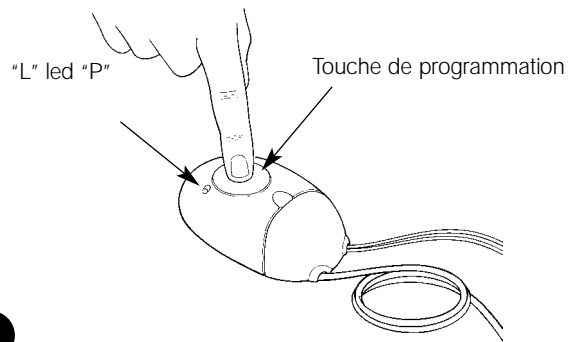


8

4) Programmation.

Durant la phase de programmation, IB effectue l'auto-apprentissage et la vérification du fonctionnement correct des photocellules connectées à bluebus; tous les paramètres restent en mémoire même en l'absence de tension. La programmation doit être effectuée en phase d'installation de l'automatisme ou à chaque fois que l'on ajoute ou que l'on supprime des dispositifs. Il n'est pas nécessaire de procéder à la programmation quand on remplace des photocellules si l'on maintient la même adresse que l'originale.

Les deux différents types d'automatismes, "un élément" et "deux éléments" doivent être programmés avec une procédure de programmation différente: voir tableau 5 pour "un élément" ou tableau 6 pour "deux éléments".



9

Tableau 5 Programmation type "un élément"		Exemple	
1.	Presser et maintenir enfoncée la touche "P", au bout d'environ trois secondes la led "L" s'allume avec lumière fixe		3s
2.	Tout en continuant à presser la touche, attendre environ quatre secondes qu'IB complète l'apprentissage des dispositifs connectés, à la fin de l'apprentissage la led "L" s'éteint et reprend le clignotement normal		4s
3.	Relâcher la touche "P".		

Note: pour les automatismes type "un élément" le lien entre les photocellules et les relais est indiqué dans le tableau 2

Tableau 6 Programmation type "deux éléments"		Exemple	
1.	Presser et maintenir enfoncée la touche "P", au bout d'environ trois secondes la led "L" s'allume avec lumière fixe, puis relâcher la touche.		3s
2.	Attendre environ quatre secondes qu'IB complète l'apprentissage des dispositifs connectés, à la fin de l'apprentissage la led "L" s'éteint et reprend le clignotement normal.		4s

Note: pour les automatismes type "deux éléments" le lien entre les photocellules et les relais est indiqué dans le tableau 3.

5) Essai et mise en service

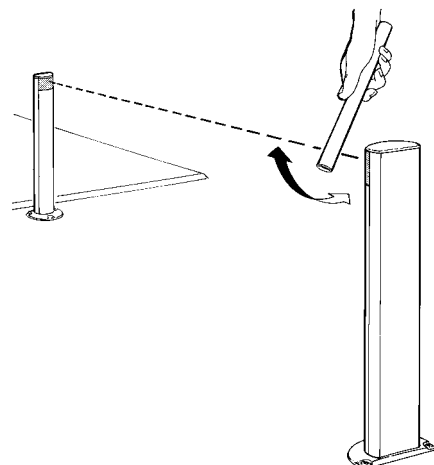
⚠ Attention: l'essai et la mise en service de l'automatisme doivent être effectués par du personnel qualifié et expérimenté qui devra se charger d'établir les essais prévus en fonction des risques présents; de vérifier le respect de ce qui est prévu par les lois, les normes et les réglementations et en particulier, de toutes les conditions requises par la norme EN 12445, qui établit les méthodes d'essai pour le contrôle des automatismes pour portails.

5.1) Essai

L'essai est la phase la plus importante dans la réalisation de l'automatisation et représente la condition sine qua non pour garantir la sécurité maximum.

L'essai peut être utilisé également comme vérification périodique des dispositifs qui composent le système.

1. Vérifier que les consignes figurant dans le chapitre 1 "AVERTISSEMENTS" ont été rigoureusement respectées.
2. Vérifier le parfait fonctionnement des photocellules et en particulier qu'il n'y a pas d'interférences avec d'autres dispositifs. Passer un cylindre d'un diamètre de 5 cm et d'une longueur de 30 cm sur l'axe optique, d'abord à proximité de TX, puis de RX, et enfin au centre entre les deux et vérifier que dans tous les cas, le dispositif intervient en passant de l'état d'actif à l'état d'alarme et vice versa.
3. Vérifier que, pour chaque intervention de photocellule, la logique effectue l'opération prévue; par exemple en intervenant sur FOTO dans la manœuvre de fermeture l'inversion du mouvement s'effectue.



10

5.2) Mise en service

⚠ Attention: la mise en service peut se faire seulement après avoir effectué avec résultat positif toutes les phases d'essai de l'automatisme. La mise en service partielle ou dans des situations "provisoires" n'est pas autorisée.

1. Avant de mettre en service l'automatisme, informer de manière adéquate le propriétaire sur les dangers et les risques qui sont éventuellement encore présents.

2. Le fascicule technique de l'automatisme devra comprendre: vue d'ensemble (par exemple Figure 1), schéma des connexions électriques (par exemple Figure 8), analyse des risques et des solutions adoptées; déclaration de conformité du fabricant de tous les dispositifs utilisés (pour IB utiliser la "Déclaration CE de conformité" présente dans ce manuel).

3. Dans le plan de maintenance, insérer les prescriptions sur la maintenance d'IB (voir chapitre 6).

6) Maintenance

⚠ Attention: la maintenance doit être effectuée dans le plein respect des consignes de sécurité du présent manuel et suivant les prescriptions des lois et normes en vigueur.

1. Vérifier périodiquement, au moins tous les 6 mois, le dispositif IB et les photocellules correspondantes. Pour cela, effectuer tous les essais et contrôles prévus au paragraphe "5.1 Essai".

2. Dans le dispositif IB vérifie qu'il n'y a pas de traces qui pourraient indiquer le risque d'un mauvais état de conservation, par exemple des traces d'humidité, d'oxydes, etc. Dans ce cas, IB doit être remplacé.

3. Le dispositif IB a été étudié pour fonctionner dans des conditions normales au moins 10 ans, il est donc bon d'intensifier la fréquence des contrôles de maintenance passée cette période.

7) Mise au rebut

⚠ Attention: certains composants électroniques pourraient contenir des substances polluantes, ne pas les abandonner dans la nature. Ce produit est constitué de différents types de matériaux dont certains peuvent être recyclés. Informez-vous sur les systèmes de recyclage ou de mise au rebut du produit en respectant les normes locales en vigueur.

8) Diagnostic et signalisations

Sur le dispositif IB est présente une led "L" (voir figure 7) qui émet des signaux lumineux suivant l'état de fonctionnement.

Tableau 6 diagnostic led "L"

Signalisation Led L	État	Action
0,5 seconde ON et 0,5 seconde OFF alternativement	Fonctionnement normal.	Tout OK
Éteinte	IB non alimenté ou en panne.	Vérifier la tension sur les câbles rouge et noir, si la tension est correcte, IB est probablement en panne.
Allumée fixe	Programmation ou panne	Durant la phase de programmation, il est normal que la led reste allumée pendant environ 4 secondes. Autrement, il y a probablement une panne.
Clignotement rapide	Initialisation ou absorption de courant excessive dans le bluebus	Juste après avoir alimenté le dispositif, un clignotement rapide d'environ 2 secondes est normal. Autrement, il y a surcharge dans le bluebus; contrôler qu'il n'y a pas de courts-circuits ou de pannes sur les dispositifs connectés.
Un clignotement rapide répété après une seconde	Résultat négatif du fototest	Contrôler d'avoir positionné les photocellules suivant les indications des figures relatives à la programmation. Contrôler qu'il n'y a pas d'autres dispositifs optiques qui interfèrent avec les photocellules.
Deux clignotements rapides répétés après une seconde	Configuration dispositifs absente	Effectuer la programmation (voir chapitre 4)
Trois clignotements rapides répétés après une seconde	Les dispositifs actuellement présents sur le bluebus sont différents de ceux qui sont mémorisés	Si des dispositifs ont été ajoutés ou supprimés il faut refaire la programmation (voir chapitre 4)
Quatre clignotements rapides répétés après une seconde	Les données dans la mémoire d'IB (dispositifs) ne sont pas correctes	Il est conseillé de refaire la programmation (voir chapitre 4)
Cinq clignotements rapides répétés après une seconde	Les données dans la mémoire d'IB (type d'automatisme) ne sont pas correctes	Il est conseillé de refaire la programmation (voir chapitre 4)
Six clignotements rapides répétés après une seconde	La programmation du type d'automatisme n'a jamais été effectuée.	Effectuer la programmation (voir chapitre 4)

9) Caractéristiques techniques

Dans le but d'améliorer ses produits, NICE S.p.A. se réserve le droit de modifier les caractéristiques techniques à tout moment et sans préavis, en garantissant dans tous les cas le bon fonctionnement et le type d'utilisation prévus.

N.B.: toutes les caractéristiques techniques se réfèrent à la température de 20°C.

Type de produit	: Interface pour les détecteurs de présence avec technologie bluebus et logiques de commande pour l'automatisation de portes et de portails avec entrée type NC
Technologie adoptée	: Interrogation cyclique des dispositifs présents
Alimentation	: 16÷35 Vdc 18÷28 Vac
Absorption avec alimentation 24 Vdc	: 50mA (ajouter environ 50 mA pour chaque paire de photocellules).
Absorption avec alimentation 24 Vac	: 44mA (ajouter environ 40 mA pour chaque paire de photocellules).
Sortie bluebus	: Une avec une charge maximum de 9 unités bluebus
Longueur maximum totale câble bluebus	: 50m
Alimentazione Ingresso fototest	: 16÷35 Vdc 18÷28 Vac
Alimentation Entrée fototest	: < à 700ms
Nombre de sorties	: 3 ("foto", "foto 1", "foto 2")
Caractéristique contacts relais	: Maximum 0.5 A avec maximum 48 Vac/dc
Durée contacts relais	: > à 600.000 interventions AC11 ou DC11
Indice de protection boîtier	: IP30
Utilisation en atmosphère acide, saline ou potentiellement explosive	: Non
Température de service	: -20°C + 55°C
Dimensions / poids	: 86x58x22 mm / 72g

Nice S.p.a. se réserve le droit d'apporter des modifications aux produits à tout moment si elle le jugera nécessaire.

F

1) Hinweise:

Die vorliegende Anleitung ist nur für technisches Personal bestimmt, das für die Installation qualifiziert ist. Keine im vorliegenden Heft enthaltene Information kann als interessant für den Endbenutzer betrachtet werden! Die vorliegende Anleitung bezieht sich auf das Produkt IB und darf für andere Produkte nicht benutzt werden.

- Installation, Endprüfung und Inbetriebsetzung der Automatisierungen für Türen und Tore müssen von erfahrenem Fachpersonal ausgeführt werden.
- Derjenige, der die Installation ausführt, muss bestimmen, welche Tests je nach vorhandenen Risiken auszuführen sind, und er muss prüfen, dass gesetzliche Verordnungen, Vorschriften und Regelungen eingehalten sind.

- Vor Beginn der Installation müssen alle Anweisungen genau gelesen werden: unsachgemäße Bedienung oder Anschlussfehler könnten die Sicherheit oder den korrekten Betrieb der Vorrichtungen beeinträchtigen.
- Vor Beginn der Installation ist zu prüfen, ob die Vorrichtung für den gewünschten Einsatz geeignet ist; besonders genau prüfen, dass die Werte in Kapitel "Technische Merkmale" übereinstimmen, andernfalls kann das Produkt IB nicht benutzt werden.

2) Beschreibung des Produktes und Einsatz

Die Vorrichtung IB ist eine Schnittstelle, mit der Präsenzdetektoren mit Bluebus Technologie (Photozellen MOFB und MOFOB) an Steuerungen angeschlossen werden können, die mit konventionellen NC-Kontakten versehen sind.

Dank der Vereinigung von IB mit MOFB und MOFOB entstehen Präsenzdetektoren (Typ D gemäß Norm 12453), die an Torautomatismen und automatischen Türen benutzt werden können. Mit der Funktion fototest kann gemäß Norm EN 954-1 die Sicherheitskate-

gorie 2 gegen Defekte erreicht werden.

Die bluebus Technologie ermöglicht eine einfache Installation, da nur zwei Drähte (ohne Polung) genügen, um alle Vorrichtungen parallel anzuschließen; weiterhin kann mit ihr durch ein automatisches Synchrosystem das Interferenzproblem zwischen Detektoren gelöst werden.

3) Installation.

⚠ Achtung: die Installation muss ohne Spannung zur Anlage ausgeführt werden.

Achtung: vor der Installation ist die Risikoanalyse auszuführen; weiterhin ist zu bewerten, wie viele Präsenzdetektoren für die zu automatisierende Anlage notwendig sind.

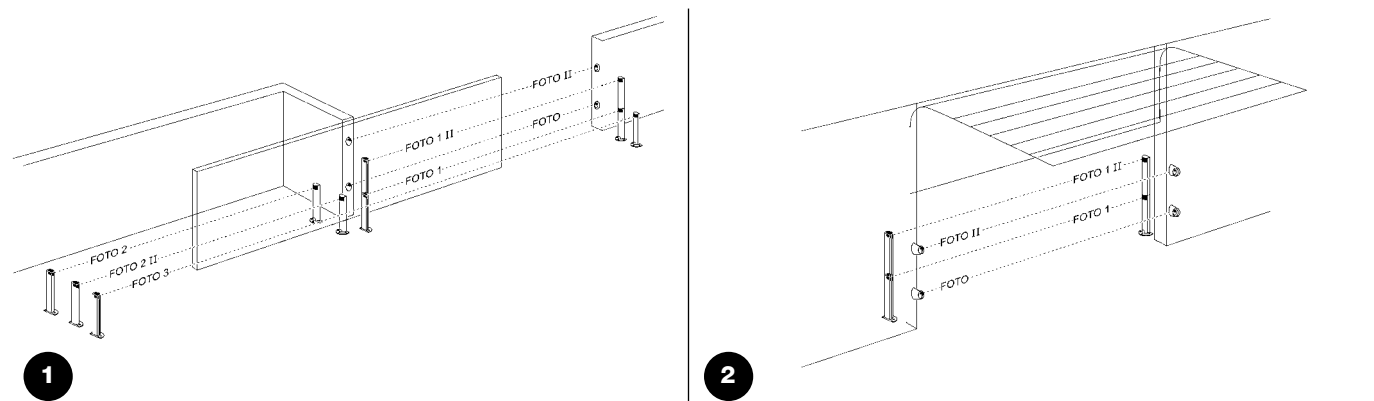
Die Vorrichtung IB kann an verschiedenen Typen von Automatisierungsanlagen für Türen und Tore eingesetzt werden; die Installationsmöglichkeiten der Detektoren können je nach Anlage unterschiedlich sein. Siehe Tabelle 1 für Installation und Programmierung.

Tabelle 1

Anlagentyp	Installation: siehe Kapitel	Programmierung: siehe Tabelle
"Schiebetor"	3.1 Anlagen mit "einem Flügel"	Tabelle 5
"Sektionaltor"		
Tor mit "anschlagenden Flügeln"	3.2 Anlagen mit "zwei Flügeln"	Tabelle 6
"Ausfahrendes Schwingtor"		

3.1) Anlagen mit "einem Flügel"

Bei der Automatisierung von Anlagen mit "einem Flügel" können die Photozellen für Schiebetore wie in Abbildung 1 angebracht werden, oder für Sektionaltore wie in Abbildung 2.



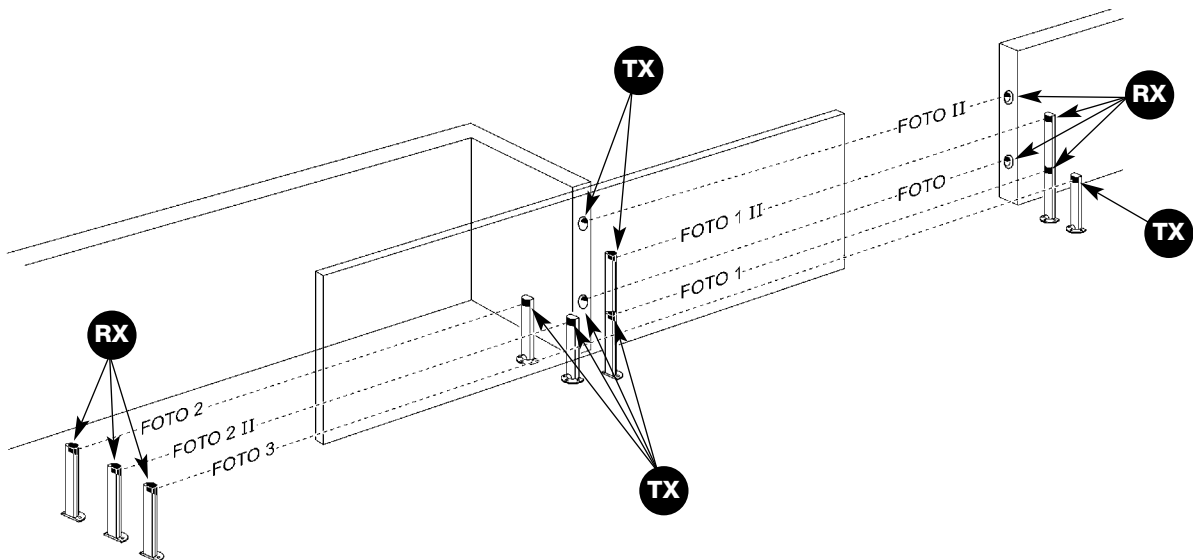
Auf den Abbildungen ist die Höchstmenge an Photozellen gezeigt, es kann aber auch nur ein Teil dieser Photozellen installiert werden; bei der Programmierung wird IB die effektiv vorhandenen Vorrichtungen automatisch erkennen.

Damit IB die am Bluebus angeschlossenen Photozellen erkennen kann, muss jeder Photozelle je nach ausgeübter Funktion eine Adresse zugeteilt werden. Die Adressierung erfolgt, indem die Überbrückungen gemäß der Tabelle 2 auf jedes TX und RX Paar gelegt werden.

Tabelle 2 Anlagen mit "einem Flügel"

	Photozelle	Überbrückungen	Auslösung an Ausgang IB
FOTO	Photozelle "außen unten" an Schiebetor oder "innen unten" an Sektionaltor mit Auslösung in Schließung.		Relais "foto" (siehe Anmerkung A)
FOTO II	Photozelle "außen oben" an Schiebetor oder "innen oben" an Sektionaltor mit Auslösung in Schließung.		Relais "foto" (siehe Anmerkung A)
FOTO 1	Photozelle "innen unten" an Schiebetor oder "außen unten" an Sektionaltor mit Auslösung in Schließung.		Relais "foto" (siehe Anmerkung A)
FOTO 1 II	Photozelle "innen oben" an Schiebetor oder "außen oben" an Sektionaltor mit Auslösung in Schließung.		Relais "foto" (siehe Anmerkung A)
FOTO 2	FPhotozelle "außen" mit Auslösung in Öffnung.		Relais "foto 2" (siehe Anmerkung B)
FOTO 2 II	Photozelle "innen" mit Auslösung in Öffnung.		Relais "foto 2" (siehe Anmerkung B)
FOTO 3	"nur eine" Photozelle für den ganzen Automatismus, mit Auslösung in Öffnung und Schließung.		Sowohl Relais "foto" als auch Relais "foto 2" (siehe Anmerkung C)

ANMERKUNG (für FOTO 3): gewöhnlich sind keine besonderen Stellungen der Paare der Photozellenelemente (TX-RX) einzuhalten; nur wenn sowohl die Photozelle FOTO 3 als auch die Photozelle FOTO II benutzt werden, muss die Stellung der Elemente wie in Abbildung 3 sein.



3

Anmerkung A: die Photozellen FOTO, FOTO II, FOTO 1 und FOTO 1 II wirken auf den Status des Relais "foto" ein; es genügt, dass eine der vier Photozellen verdunkelt wird, damit IB den Kontakt des Ausgangsrelais "foto" öffnet.

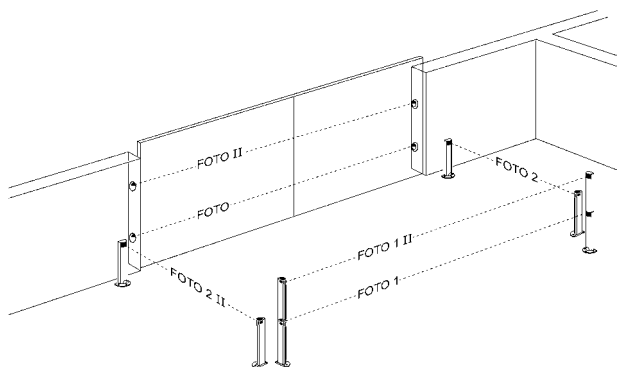
Anmerkung B: die Photozellen FOTO 2 und FOTO 2 II wirken auf den Status des Relais "foto 2", ein; es genügt, dass eine der zwei Photozellen verdunkelt wird, damit IB den Kontakt des Relais "foto 2" öffnet.

Anmerkung C: Anmerkung C: die Photozelle FOTO 3 wirkt auf den Status des Relais "foto" und "foto 2" ein; es genügt, dass die Photozelle verdunkelt wird, damit IB den Kontakt der beiden Relais "foto" und "foto 2" öffnet.

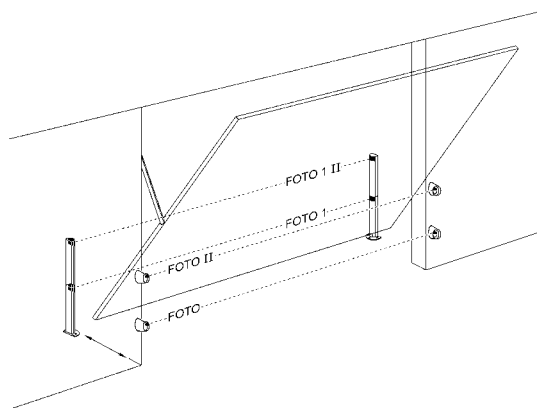
In der Gestaltung mit "einem Flügel" ist der Relaisausgang "foto 1" nicht benutzt, und der Kontakt bleibt immer in der NO-Position.

3.2) Anlagen mit "zwei Flügeln".

Bei der Automatisierung von Anlagen mit "zwei Flügeln" können die Photozellen für Tore mit zwei anschlagenden Flügeln wie in Abbildung 4 angebracht werden, oder für ausfahrende Schwingtore wie in Abbildung 5.



4



5

Achtung: die Photozellen FOTO 1 und FOTO 1 II dürfen während Öffnung oder Schließung vom Tor nicht verdunkelt werden.

Auf den Abbildungen ist die Höchstmenge an Photozellen gezeigt, es kann aber auch nur ein Teil dieser Photozellen installiert werden; bei der Programmierung wird IB die effektiv vorhandenen Vorrichtungen automatisch erkennen.

Damit IB die am Bluebus angeschlossenen Photozellen erkennen kann, muss jeder Photozelle je nach ausgeübter Funktion eine Adresse zugeteilt werden. Die Adressierung erfolgt, indem die Überbrückungen gemäß der Tabelle 3 auf jedes TX und RX Paar gelegt werden.

Tabelle 3 Anlagen mit "zwei Flügeln"			
	Photozelle	Überbrückungen	Auslösung an Ausgang
FOTO	Photozelle "außen unten" an zwei Flügeln oder "innen unten" an ausfahrendem Schwingtor mit Auslösung in Schließung.		Relais "foto" (siehe Anmerkung A)
FOTO II	Photozelle "außen oben" an zwei Flügeln oder "innen oben" an ausfahrendem Schwingtor mit Auslösung in Schließung.		Relais "foto" (siehe Anmerkung A)
FOTO 1	Photozelle "innen unten" an zwei Flügeln oder "außen unten" an ausfahrendem Schwingtor mit Auslösung in Schließung und Öffnung.		Relais "foto" (siehe Anmerkung B)
FOTO 1 II	Photozelle "innen oben" an zwei Flügeln oder "außen oben" an ausfahrendem Schwingtor mit Auslösung in Schließung und Öffnung.		Relais "foto" (siehe Anmerkung B)
FOTO 2	Photozelle "rechts" mit Auslösung in Öffnung.		Relais "foto" (siehe Anmerkung C)
FOTO 2 II	Photozelle "links" mit Auslösung in Öffnung.		Relais "foto" (siehe Anmerkung C)

Anmerkung A: die Photozellen FOTO, FOTO II wirken auf den Status des Relais "foto" ein; es genügt, dass eine der zwei Photozellen verdunkelt wird, damit IB den Kontakt des Ausgangsrelais "foto" öffnet.

Anmerkung B: die Photozellen FOTO 1 und FOTO 1 II wirken auf den Status des Relais "foto 1", ein; es genügt, dass eine der zwei Photozellen verdunkelt wird, damit IB den Kontakt des Relais "foto 1" öffnet.

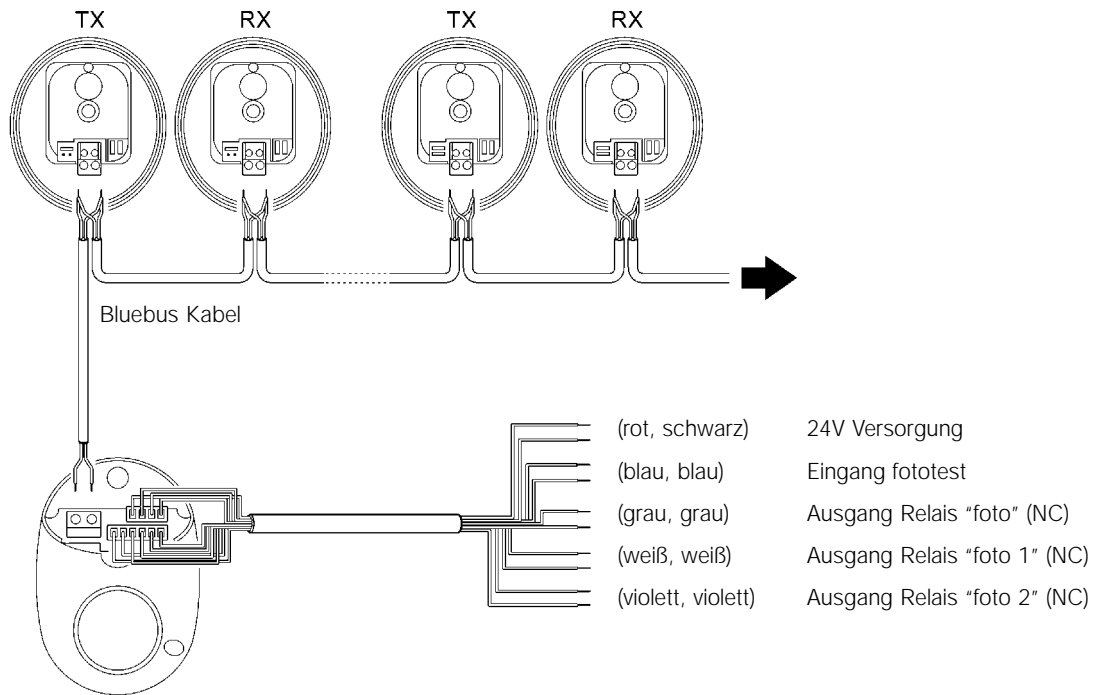
Anmerkung C: die Photozellen FOTO 2 und FOTO 2 II wirken auf den Status des Relais "foto 2" ein; es genügt, dass eine der zwei Photozellen verdunkelt wird, damit IB den Kontakt des Relais "foto 2" öffnet.

3.3) Elektrische Anschlüsse

IB verfügt über 3 Relaisausgänge "foto", "foto 1" und "foto 2" mit gewöhnlich geschlossenem Kontakt (NC), vorbereitet für den Anschluss an die jeweiligen Eingänge der Steuerungen der Automatisierung.

Falls die Steuerung über einen oder mehrere Eingänge "foto" nicht verfügt, müssen die entsprechenden Ausgangsdrähte von IB, folglich wäre es unnütz, Photozellen zu installieren, die auf diese Ausgänge einwirken würden.

Für den Anschluss der Bluebus Vorrichtungen wird empfohlen, ein Kabel mit Querschnitt 2x0,5mm² bis zu 20m Länge zu benutzen, und für Längen bis zu 50m ein Kabel mit Querschnitt 2x1mm².



6

3.3.1) Beschreibung der Anschlüsse.

Es folgt eine kurze Beschreibung der elektrischen Anschlüsse von der Vorrichtung IB aus.

Tabelle 4 Anschlüsse		
Kabelfarbe	Funktion	Beschreibung.
rot, schwarz	24V ac/dc Versorgung	Versorgungslinie 18 ÷ 28 Vac; 16 ÷ 35 Vdc
blau, blau	Fototest	Eingang (gewöhnlich aktiviert) für den fototest.
grau, grau	Ausgang "foto"	Ausgang spannungsfreier Kontakt des Relais "foto" (NC)
weiß, weiß	Ausgang "foto1"	Ausgang spannungsfreier Kontakt des Relais "foto 1" (NC)
violett, violett	Ausgang "foto 2"	Ausgang spannungsfreier Kontakt des Relais "foto 2" (NC)

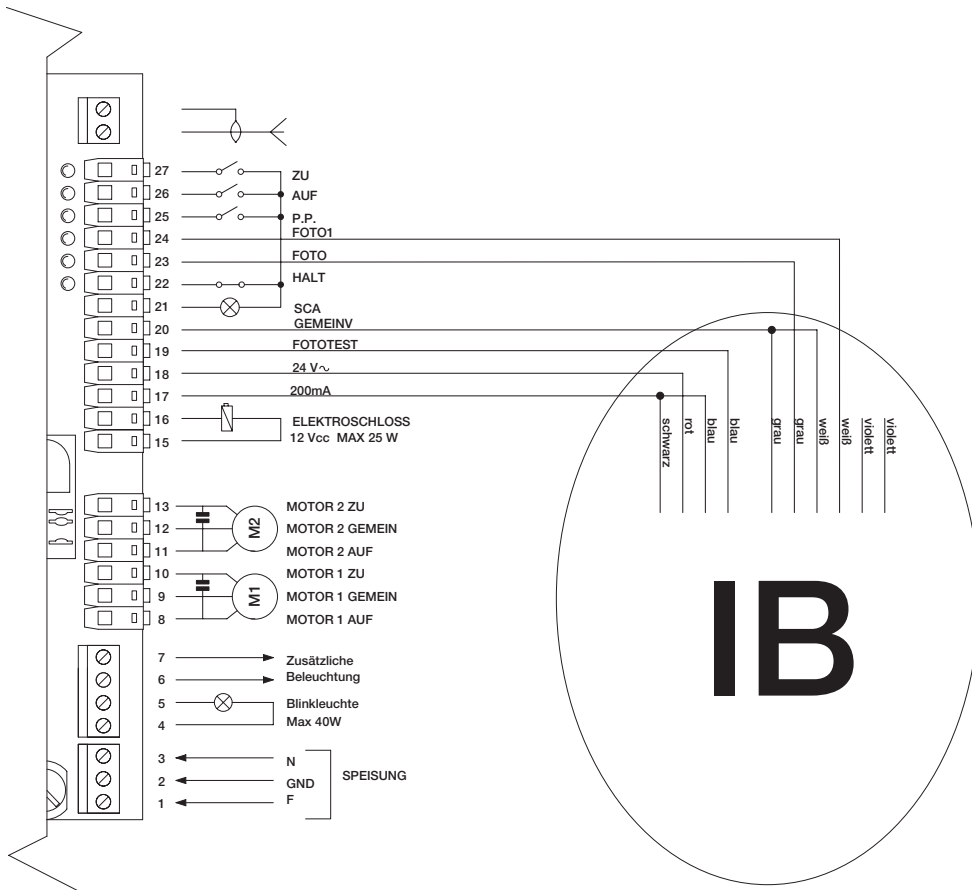
3.3.2) Fototest.

IB verfügt über einen Eingang, um den Test des ganzen Präsenzdetektors auszuführen, wenn es die Steuerung verlangt, mit dem Zweck, gemäß der Norm EN 954-1 die Sicherheitskategorie Nr. 2 gegen Defekte zu erreichen.

Der Eingang fototest von IB muss an den Ausgang fototest der Steuerung angeschlossen werden; die Beachtung einer Polung ist nicht erforderlich (siehe Beispiel in Abbildung 7). Falls die Steuerung nicht über den fototest verfügt oder man ihn nicht benutzen will, muss der Eingang fototest an den roten und schwarzen Drähten der Versorgung von IB angeschlossen werden (siehe Beispiel in Abbildung 8).

3.3.3) Beispiel Benutzung von IB mit Steuerung A60 und fototest.

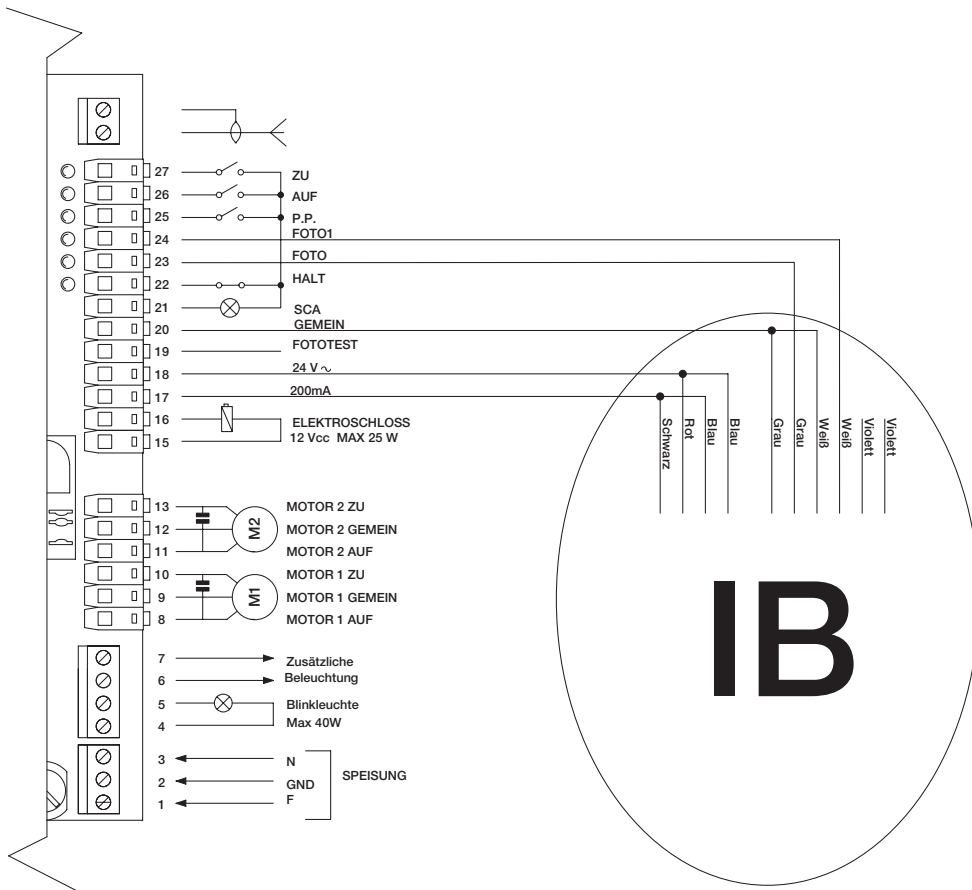
In Abbildung 7 ist ein Anschlussbeispiel der Vorrichtung IB an einer Steuerung A60 mit fototest gezeigt.



7

3.3.4) Beispiel: Benutzung von IB mit Steuerung A60 ohne fototest.

In Abbildung 8 ist ein Anschlussbeispiel der Vorrichtung IB an einer Steuerung A60 ohne fototest gezeigt.

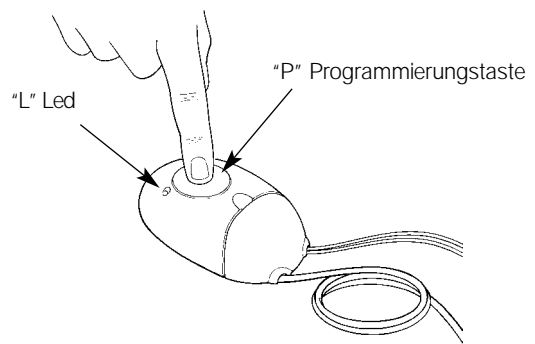


8

4) Programmierung.

Während der Programmierung führt IB die Selbsterlernung und Überprüfung des korrekten Betrieb der an bluebus angeschlossenen Photozellen aus; alle Parameter bleiben auch bei Stromausfall gespeichert. Die Programmierung muss bei der Installation der Automatisierung oder jedes Mal ausgeführt werden, wenn man Vorrichtungen hinzufügt oder entfernt. Eine Programmierung ist nicht erforderlich, wenn man Photozellen ersetzt, dabei aber dieselbe Adressierung wie am Original bleibt.

Die beiden verschiedenen Automatisierungstypen ("ein Flügel" und "zwei Flügel") müssen mit einem unterschiedlichen Programmierverfahren programmiert werden: siehe Tabelle 5 für "einen Flügel" oder Tabelle 6 für "zwei Flügel".



9

Tabelle 5 Programmierverfahren für "einen Flügel"		Beispiel
1.	Auf Taste "P" drücken und gedrückt halten; nach ca. 3 Sekunden leuchtet die LED "L" fest auf	3s
2.	Die Taste weiter gedrückt halten und ca. vier Sekunden warten, so dass IB die Erlernung der angeschlossenen Vorrichtungen beendet; am Ende der Erlernung wird die LED "L" erlöschen und wieder normal blinken.	4s
3.	Taste "P" loslassen.	

Anmerkung: für die Anlagentypik mit "einem Flügel" ist die Bindung zwischen Photozellen und Relais in Tabelle 2 angegeben.

Tabelle 6 Programmierverfahren für "zwei Flügel"		Beispiel
1.	Auf Taste "P" drücken und gedrückt halten; nach ca. 3 Sekunden leuchtet die LED "L" fest auf. Dann die Taste loslassen.	3s
2.	Ca. vier Sekunden warten, so dass IB die Erlernung der angeschlossenen Vorrichtungen beendet; am Ende der Erlernung wird die LED "L" erlöschen und wieder normal blinken.	4s

Anmerkung: für die Anlagentypik mit "zwei Flügeln" ist die Bindung zwischen Photozellen und Relais in Tabelle 3 angegeben.

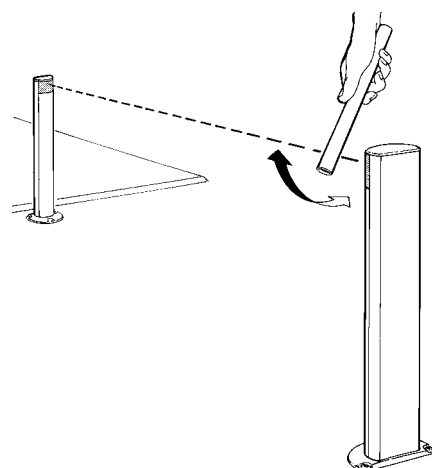
5) Endprüfung und Inbetriebsetzung

⚠ Achtung: Endprüfung und Inbetriebsetzung der Automatisierung müssen von erfahrener Fachpersonal ausgeführt werden, das zu bestimmen hat, welche Tests je nach vorhandenen Risiken auszuführen sind, und das die Übereinstimmung mit Gesetzen, Vorschriften und insbesondere allen Anforderungen der Norm EN 12445 zu überprüfen hat, in der die Testmethoden zur Überprüfung der Automatismen für Tore angegeben sind.

5.1) Endprüfung

Die Endprüfung ist mit Bezug auf die Sicherheit die wichtigste Phase bei der Durchführung der Automatisierung. Das für die Endprüfung benutzte Verfahren kann auch zur regelmäßigen Überprüfung der verschiedenen Vorrichtungen des Systems verwendet werden.

1. Prüfen, ob alles in Kapitel 1 "HINWEISE" angegebene genauestens eingehalten ist.
2. Den einwandfreien Betrieb der Photozellen prüfen, insbesondere kontrollieren, dass keine Interferenzen mit anderen Vorrichtungen vorliegen. Einen Zylinder mit 5 cm Durchmesser und 30 cm Länge auf der optischen Achse zuerst nah an TX, dann nah an RX und abschließend in ihrer Mitte durchführen und prüfen, dass die Vorrichtung in allen Fällen ausgelöst wird und vom aktiven Zustand auf den Alarmzustand übergeht und umgekehrt.
3. Prüfen, dass die Steuerung bei jeder Auslösung der Photozelle den vorgesehenen Vorgang durchführt. Wenn zum Beispiel während der Schließung FOTO ausgelöst wird, muss die Umkehrung der Bewegung erfolgen.



10

5.2) Inbetriebsetzung

⚠ Achtung: die Inbetriebsetzung darf erst erfolgen, nachdem alle Prüfungen der Automatisierung erfolgreich beendet sind. Eine teilweise oder vorübergehende Inbetriebsetzung ist unzulässig.

1. Vor der Inbetriebsetzung des Automatismus, den Inhaber über eventuell vorhandene restliche Gefahren und Risiken informieren.

2. Die technischen Unterlagen der Automatisierung zusammenstellen, mit mindestens: Gesamtzeichnung (z.B. Abbildung 1), Schaltplan (z.B. Abbildung 8), Risikoanalyse und jeweilige angewendete Lösungen, Konformitätserklärung des Herstellers für alle benutzten Vorrichtungen (für IB die diesem Handbuch anliegende "CE-Konformitätserklärung" verwenden)
3. In den Wartungsplan die für IB vorgeschriebenen Wartungsarbeiten einfügen (siehe Kapitel 6).

6) Wartung

⚠ Achtung: Die Wartung muss unter genauester Einhaltung der im vorliegenden Handbuch verzeichneten Sicherheitsbestimmungen und der Verordnungen der gültigen Gesetze und Vorschriften ausgeführt werden.

1. Die Vorrichtung IB sowie die entsprechenden Photozellen regelmäßig, mindestens alle 6 Monate überprüfen. Hierzu alle in "5.1 Endprüfung" vorgesehenen Tests und Überprüfungen ausführen
2. An der Vorrichtung IB überprüfen, dass keine Spuren vorhanden sind, die auf einen nicht einwandfreien Konservierungszustand hinweisen können (wie zum Beispiel Spuren von Feuchtigkeit, Rost, usw.). IB muss in solchen Fällen ersetzt werden.

3. Die Vorrichtung IB wurde für mindestens 10 Betriebsjahre unter normalen Bedingungen konstruiert, daher sollte die Wartung nach Ablauf dieser Zeit häufiger ausgeführt werden.

7) Entsorgung

⚠ Achtung: einige Bestandteile könnten Schadstoffe enthalten; nicht in die Umwelt geben. Dieses Produkt besteht aus verschiedenen Stoffen, von denen einige recycled werden können. Informieren Sie sich, wie das Produkt recycled oder entsorgt werden kann und halten Sie sich an die örtlich gültigen Vorschriften.

8) Diagnose und Anzeigen

An der Vorrichtung IB befindet sich eine Led "L" (siehe Abbildung 7), die je nach Betriebsstatus Leuchtanzeigen abgibt.

Tabelle 6 Diagnose-Led "L"

Anzeige Led L	Status	Wirkung
0,5 Sekunden ON und 0,5 Sekunden OFF, abwechselnd.	Normalbetrieb.	Alles OK
Ausgeschaltet	IB nicht gespeist oder defekt.	Spannung am roten und am schwarzen Draht überprüfen; falls die Spannung korrekt ist, ist IB wahrscheinlich defekt.
Leuchtet fest	Programmierung oder Defekt	Während der Programmierung ist es normal, dass die Led ca. 4 Sekunden lang fest leuchtet. Andernfalls liegt wahrscheinlich ein Defekt vor.
Schnellblinker	Initialisierung oder zu starke Stromaufnahme Stromaufnahme im bluebus	Gleich nach Einschalten der Stromversorgung ist ein 2 Sekunden langes Schnellblinker normal. Andernfalls liegt eine Überlast im bluebus vor; die angeschlossenen Vorrichtungen auf Kurzschlüsse oder Defekte kontrollieren.
Ein Schnellblinker, das sich nach einer Sekunde wiederholt	Erfolgreicher Fototest.	Prüfen, dass die Photozellen wie auf den Abbildungen in Programmierung positioniert sind. Prüfen, dass keine anderen Vorrichtungen mit den Photozellen interferieren.
Zwei Mal Schnellblinker, das sich nach einer Sekunde wiederholt	Keine Konfiguration der Vorrichtungen	Programmierung ausführen (siehe Kapitel 4)
Drei Mal Schnellblinker, das sich nach einer Sekunde wiederholt	Die derzeit im Bluebus vorhandenen Vorrichtungen sind anders als die gespeicherten	Die Programmierung muss wiederholt werden, falls Vorrichtungen hinzugefügt oder entfernt worden sind (siehe Kapitel 4)
Vier Mal Schnellblinker, das sich nach einer Sekunde wiederholt	Die in IB gespeicherten Daten (Vorrichtungen) sind unkorrekt.	Programmierung wiederholen (siehe Kapitel 4)
Fünf Mal Schnellblinker, das sich nach einer Sekunde wiederholt	Die in IB gespeicherten Daten (Anlagentypik) sind unkorrekt	Programmierung wiederholen (siehe Kapitel 4)
Sechs Mal Schnellblinker, das sich nach einer Sekunde wiederholt	Die Programmierung der Anlagentypik ist nie ausgeführt worden.	Programmierung ausführen (siehe Kapitel 4)

9) Technische Merkmale

Für eine Verbesserung der Produkte behält sich NICE S.p.A. das Recht vor, die technischen Merkmale jederzeit und ohne vorherige Benachrichtigung zu ändern, wobei aber vorgesehene Funktionalitäten und Einsätze garantiert bleiben.

Bitte bemerken: alle technischen Merkmale beziehen sich auf eine Temperatur von 20°C.

Typik	: Schnittstelle für Präsenzdetectoren mit Bluebus Technologie und Steuerungen für die Automatisierung von Türen und Toren mit NC-Eingang
Angewendete Technologie	: Zyklische Befragung der angeschlossenen Vorrichtungen
Stromversorgung	: 16÷35 Vdc 18÷28 Vac
Aufnahme bei einer Versorgung von 24 Vdc	: 50mA (ca. 50mA für jedes Photozellenpaar hinzufügen)..
Aufnahme bei einer Versorgung von 24 Vac	: 44mA (ca. 40mA für jedes Photozellenpaar hinzufügen).
Ausgang Bluebus	: Ein Ausgang mit einer Höchstlast von 9 bluebus Einheiten
Maximale Gesamtlänge des bluebus Kabels	: 50m
Stromversorgung Phototesteingang	: 16÷35 Vdc 18÷28 Vac
Durchführungszeit des Phototests	: < di 700ms
Anzahl der Ausgänge	: 3 ("foto", "foto 1", "foto 2")
Merkmal Relaiskontakte	: max. 0.5 A mit max. 48 Vac/dc
Dauer Relaiskontakte	: > bei 600.000 Auslösungen AC11 oder DC11
Schutzart Gehäuse	: IP30
Benutzung in säure- und salzhaltiger oder explosionsgefährdeter Atmosphäre	: NO
Betriebstemperatur	: -20°C + 55°C
Abmessungen / Gewicht	: 86x58x22 mm / 72g

Nice S.p.a. behält sich das Recht vor, jederzeit Änderungen am Produkt anzubringen.

1) Advertencias:

Este manual está destinado únicamente al personal técnico cualificado para la instalación; ninguna información contenida en este manual puede ser considerada de interés para el usuario final. Este manual se refiere al IB y no debe utilizarse para otros productos.

- La instalación, ensayo y puesta en servicio de los automatismos para puertas y cancelas deben ser hechos por personal cualificado y experto.
- La persona que realiza la instalación debe encargarse de establecer los ensayos previstos en función de los riesgos presentes y comprobar que se respeten las leyes, normativas y reglamentos previstos.
- Antes de empezar la instalación, es necesario leer con atención todas las instrucciones: un uso inadecuado o un error de conexión podrían perjudicar la seguridad o el funcionamiento correcto de los dispositivos.
- Antes de empezar la instalación, controle que el dispositivo sea adecuado para el uso requerido; compruebe que los valores mencionados en el capítulo "Características técnicas" correspondan al modelo de dispositivo; en caso contrario, no use el IB.

2) Descripción del producto y uso adecuado

El dispositivo IB es una interfaz que permite conectar detectores de presencia con tecnología bluebus (fotocélulas MOFB y MOFOB) a centrales que dispongan de entradas para contactos tradicionales tipo NC. La unión de IB con MOFB y MOFOB permite realizar detectores de presencia (tipo D según la norma 12453) a utilizar en automatismos para cancelas y puertas automáticas. Utilizando la función fototest es posible lograr la categoría 2 de seguridad contra las averías, según la norma EN 954-1.

La tecnología bluebus permite realizar una instalación sencilla, porque se requieren sólo dos hilos (sin polaridad) para conectar en paralelo todos los dispositivos; además permite resolver el problema de la interferencia entre los detectores a través de un sistema de sincronización automático.

3) Instalación

⚠ Atención: la instalación debe efectuarse con la instalación sin tensión.

Atención: antes de efectuar la instalación, es necesario analizar los riesgos y evaluar la cantidad de detectores de presencia que se necesitan en función de la instalación

que se ha de automatizar.

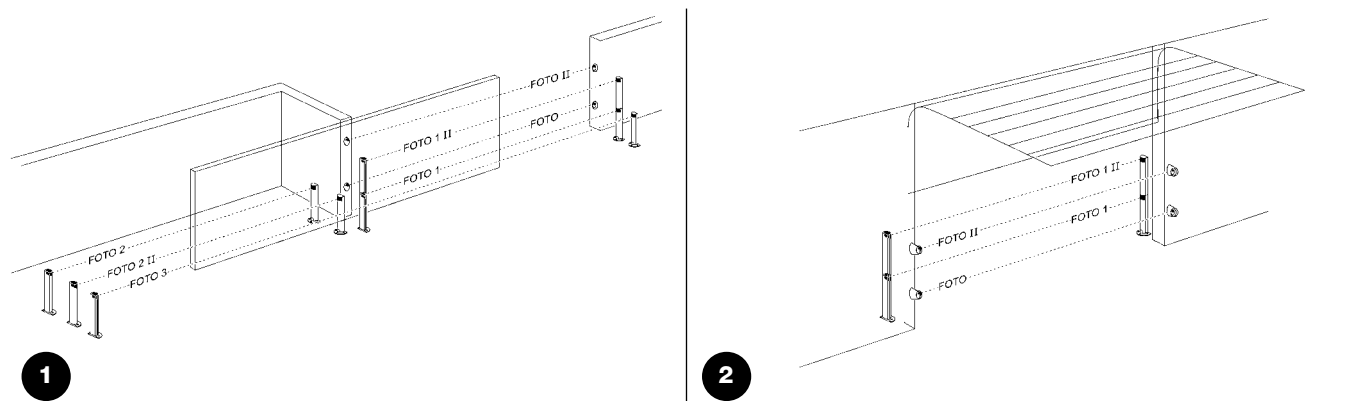
El dispositivo IB puede utilizarse en diferentes tipos de instalaciones de automatización para puertas y cancelas, las posibilidades de montaje de los detectores puede cambiar en función de la instalación; para el montaje y la programación, consulte la tabla 1.

Tabla 1

Tipo de instalación	Instalación: véase el capítulo	Programación: véase la tabla
Puerta de corredera	3.1 Impianti tipo "una anta"	Tabla 5
Puerta seccional	3.2 Impianti tipo "due ante"	Tabla 6
Puerta de batiente		
Puerta basculante desbordante		

3.1) Instalaciones de "una hoja"

En la automatización de instalaciones de "una hoja" las fotocélulas pueden situarse tal como muestra la Figura 1 para puertas de corredera, o bien como muestra la Figura 2 para puertas seccionales.



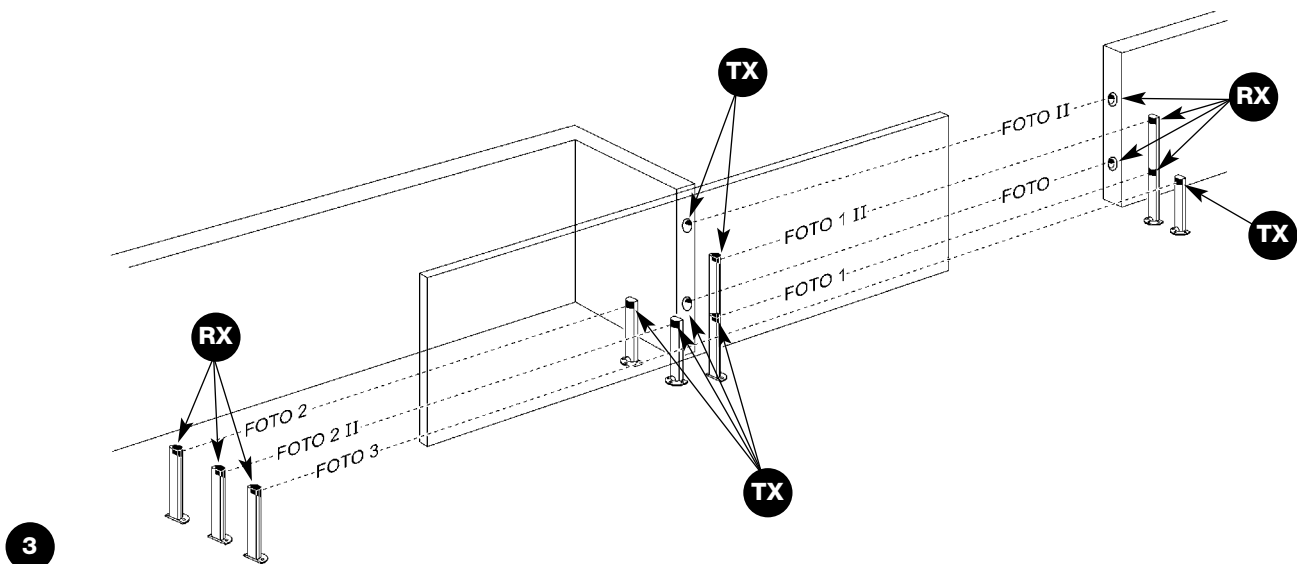
En las figuras se indica la cantidad máxima de fotocélulas que pueden instalarse; sin embargo, pueden instalarse también sólo algunas; durante la programación, el IB reconocerá automáticamente los dispositivos instalados efectivamente.

Para que el IB pueda reconocer las fotocélulas conectadas a bluebus, es necesario asignar a cada una de ellas una dirección según la función que deba cumplir. El direccionamiento se realiza colocando los conectores puente tal como se indica en la tabla 2 en cada par de TX y RX.

Tabla 2 Instalaciones de "una hoja"

	Fotocélula	Conectores puente	Acción sobre salida IB
FOTO	Fotocélula "exterior baja" en puerta de corredera o "interior baja" en puerta seccional con activación en el cierre.		Relé "foto" (véase la nota A)
FOTO II	Fotocélula "exterior alta" en puerta de corredera, o "interior alta" en puerta seccional con activación en el cierre.		Relé "foto" (véase la nota A)
FOTO 1	Fotocélula "interior baja" en puerta de corredera, o "exterior baja" en puerta seccional con activación en el cierre		Relé "foto" (véase la nota A)
FOTO 1 II	Fotocélula "interior alta" en puerta de corredera, o "exterior alta" en puerta seccional con activación en el cierre.		Relé "foto" (véase la nota A)
FOTO 2	Fotocélula "exterior" con activación en la apertura.		Relé "foto 2" (véase la nota B)
FOTO 2 II	Fotocélula "interior" con activación en la apertura		Relé "foto 2" (véase la nota B)
FOTO 3	Fotocélula "única" que cubre todo el automatismo con activación en la apertura y en el cierre.		Tanto relé "foto" como relé "foto 2" (véase la nota C)

Nota (para FOTO 3): por lo general, no es necesario respetar las posiciones de los pares de elementos (TX-RX) que componen las diferentes fotocélulas; únicamente cuando se utiliza la fotocélula FOTO 3 con la fotocélula FOTO II es necesario respetar la posición de los elementos, tal como indicado en la figura 3.



Nota A: las fotocélulas FOTO, FOTO II, FOTO 1 y FOTO 1 II actúan sobre el estado del relé "foto"; es suficiente que una de las cuatro fotocélulas quede cubierta para que el IB abra el contacto del relé de salida "foto".

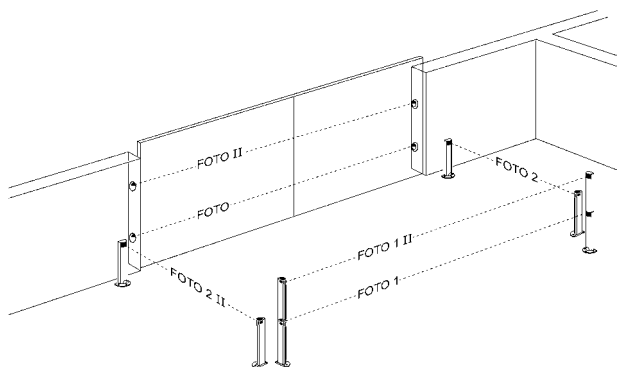
Nota B: las fotocélulas FOTO 2 y FOTO 2 II actúan sobre el estado del relé "foto 2"; es suficiente que una de las dos fotocélulas quede cubierta para que el IB abra el contacto del relé "foto 2".

Nota C: la fotocélula FOTO 3 actúa sobre el estado de los relés "foto" y "foto 2"; es suficiente que la fotocélula quede cubierta para que el IB abra el contacto de los dos relés "foto" y "foto 2".

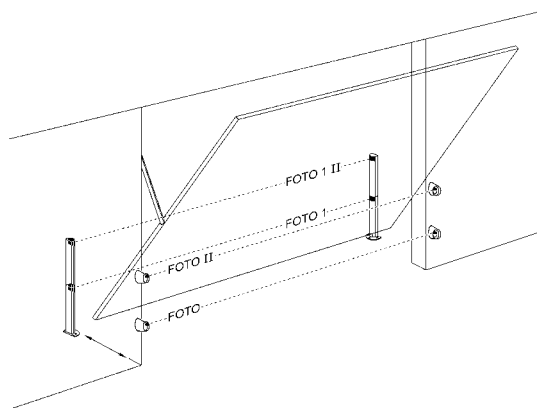
En la configuración de "una hoja" la salida relé "foto 1" no se usa y el contacto siempre queda en la posición NO.

3.2) Instalaciones de "dos hojas"

En la automatización de instalaciones de "dos hojas" las fotocélulas pueden colocarse como muestra la figura 4 para puertas de dos hojas, o como muestra la figura 5 para puertas basculantes desbordantes.



4



5

Atención: durante la apertura y cierre la puerta no debe cubrir las fotocélulas FOTO 1 y FOTO 1 II.

En las figuras se indica la cantidad máxima de fotocélulas que pueden instalarse; sin embargo, pueden instalarse sólo algunas; durante la programación, el IB reconocerá automáticamente los dispositivos instalados efectivamente.

Para que el IB pueda reconocer las fotocélulas conectadas a bluebus, es necesario asignar a cada una de ellas una dirección según la función que deba cumplir. El direccionamiento se realiza colocando los conectores puente tal como se indica en la tabla 3 en cada par de TX y RX.

Tabla 3 Instalaciones de "dos hojas"

	Fotocélulas	Conectores puente	Acción sobre salida IB
FOTO	Fotocélula "exterior baja" en puerta de dos hojas, o "interior baja" en puerta basculante desbordante con activación en el cierre.		Relé "foto" (véase la nota A)
FOTO II	II Fotocélula "exterior alta" en puerta de dos hojas, o "interior alta" en puerta basculante desbordante con activación en el cierre.		Relé "foto" (véase la nota A)
FOTO 1	Fotocélula "interior baja" en puerta de dos hojas, o "exterior baja" en puerta basculante desbordante con activación en el cierre y en la apertura.		Relé "foto 1" (véase la nota B)
FOTO 1 II	Fotocélula "interior alta" en puerta de dos hojas, o "exterior alta" en puerta basculante desbordante con activación en el cierre y en la apertura.		Relé "foto 1" (véase la nota B)
FOTO 2	Fotocélula "derecha" con activación en la apertura		Relé "foto 2" (véase la nota C)
FOTO 2 II	Fotocélula "izquierda" con activación en la apertura		Relé "foto 2" (véase la nota C)

Nota A: las fotocélulas FOTO y FOTO II actúan sobre el estado del relé "foto"; es suficiente que una de las dos fotocélulas quede cubierta para que el IB abra el contacto del relé de salida "foto".

Nota B: las fotocélulas FOTO 1 y FOTO 1 II actúan sobre el estado del relé "foto 1"; es suficiente que una de las dos fotocélulas quede cubierta, para que el IB abra el contacto del relé "foto 1".

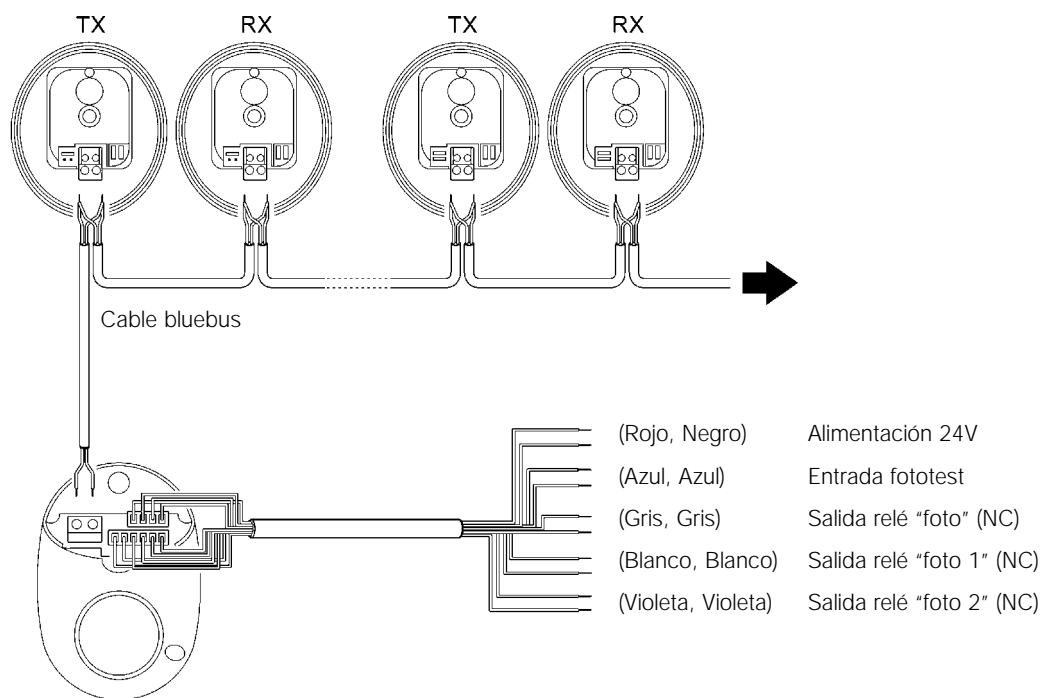
Nota C: las fotocélulas FOTO 2 y FOTO 2 II actúan sobre el estado del relé "foto 2"; es suficiente que una de las dos fotocélulas quede cubierta, para que el IB abra el contacto del relé "foto 2".

3.3) Conexiones eléctricas

El IB dispone de 3 salidas de relé "foto", "foto 1" y "foto 2" con contacto normalmente cerrado (NC) listas para ser conectadas a las entradas correspondientes de las centrales del automatismo.

Si la central no dispusiera de una o diversas entradas "foto" hay que dejar libres los cables de salida del IB y, por consiguiente, es inútil instalar las fotocélulas que actuarían sobre tales salidas.

Para la conexión de los dispositivos bluebus se aconseja instalar un cable de 2x0,5mm² hasta 20m de longitud; para longitudes de hasta 50m, utilice un cable de 2x1mm².



6

3.3.1) Descripción de las conexiones

Describimos brevemente las conexiones eléctricas del dispositivo IB.

Tabla 4 Conexiones

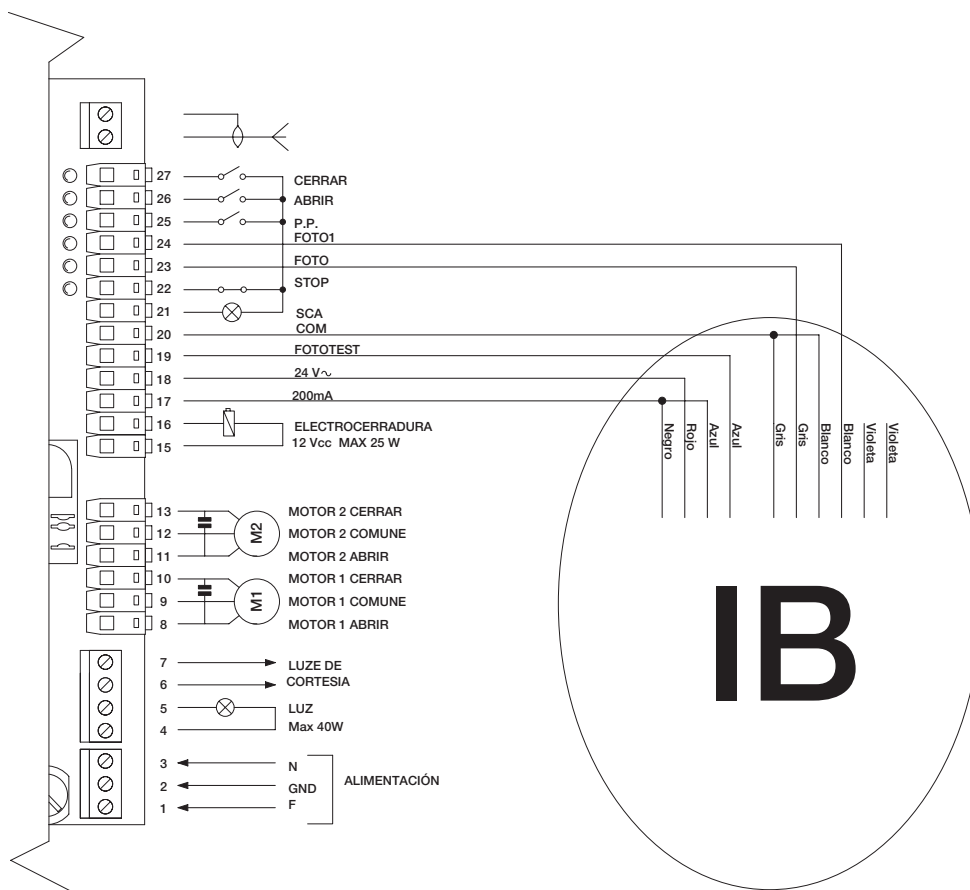
Color cables	Función	Descripción.
Rojo, Negro	Alimentación 24V ac/dc	Línea de alimentación 18 ÷ 28 Vac; 16 ÷ 35 Vdc
Azul, Azul	Fototest	Entrada (normalmente activo) del fototest.
Gris, Gris	Salida "foto"	Salida contacto sin tensión del relé "foto" (NC)
Blanco, Blanco	Salida "foto1"	Salida contacto sin tensión del relé "foto 1" (NC)
Violeta, Violeta	Salida "foto 2"	Salida contacto sin tensión del relé "foto 2" (NC)

3.3.2) Fototest

El IB dispone de una entrada para ejecutar el test, cuando la central lo requiere, de todo el detector de presencia a fin de obtener la categoría 2 de seguridad contra las averías, según la norma EN 954-1. La entrada fototest del IB debe conectarse a la salida fototest de la central; no es necesario respetar ninguna polaridad (véase el ejemplo en la figura 7). Si la central no dispone de fototest o si no se desea utilizarlo, hay que conectar la entrada de fototest a la misma alimentación del IB en los cables rojo y negro (véase el ejemplo en la figura 8).

3.3.3) Ejemplo de utilización del IB con central A60 y fototest.

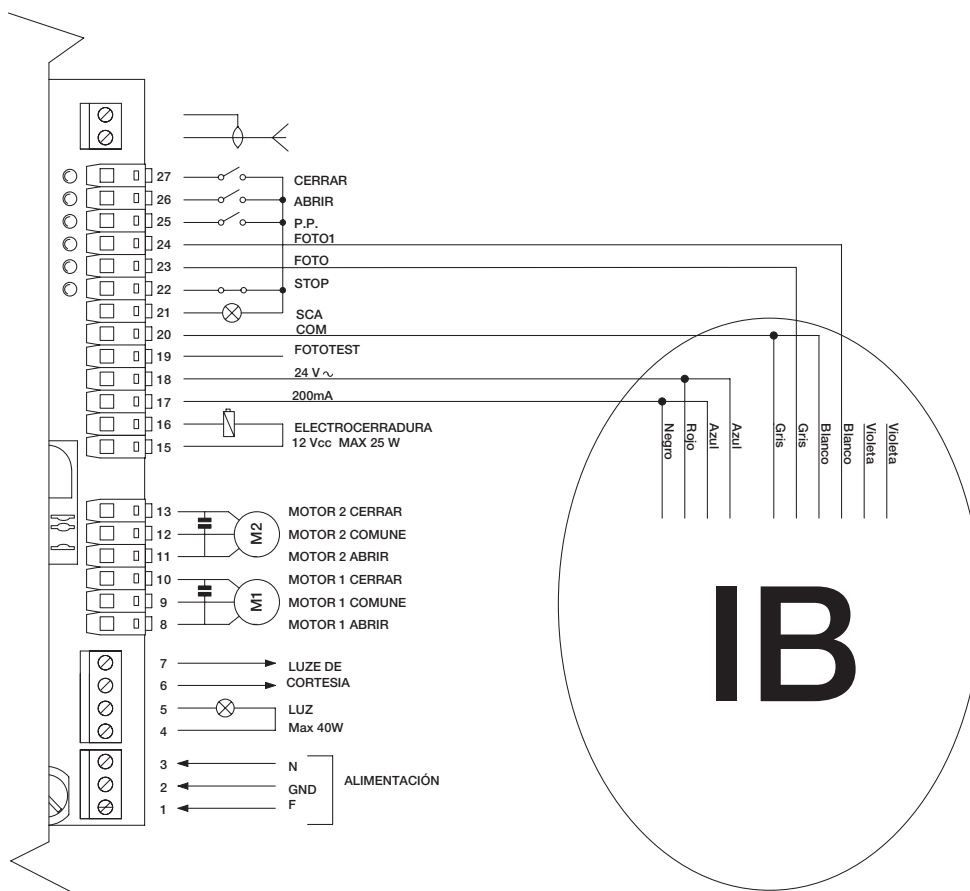
La figura 7 es un ejemplo de conexión del dispositivo IB a una central A60 con fototest.



7

3.3.4) Ejemplo de utilización del IB con central A60 sin fototest.

La figura 8 es un ejemplo de conexión del dispositivo IB a una central A60 sin fototest.

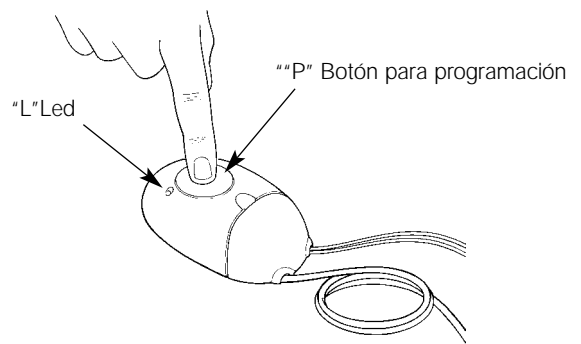


8


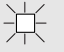




4) Programación

Durante la programación, el IB efectúa el autoaprendizaje y la verificación del funcionamiento correcto de las fotocélulas conectadas a bluebus; todos los parámetros quedan memorizados también si falta la alimentación. La programación debe efectuarse cuando se instala el automatismo o bien cada vez que se añaden o quitan dispositivos. No es necesario realizar la programación cuando se sustituyen las fotocélulas si se mantiene la misma dirección del original.






Los dos tipos diferentes de automatización, de "una hoja" y de "dos hojas", deben programarse mediante un procedimiento de programación diferente: véase la tabla 5 para "una hoja" o la tabla 6 para "dos hojas".



9

Tabla 5	Programación de "una hoja"	Ejemplo
1.	Presione y mantenga presionado el botón "P", transcurridos alrededor de tres segundos, el led "L" se enciende con luz fija	  3s
2.	Manteniendo el botón todavía presionado espere unos cuatro segundos a que el IB complete el aprendizaje de los dispositivos conectados; al concluir el aprendizaje, el led "L" se apaga y reanuda el parpadeo normal.	   4s
3.	Suelte el botón "P".	

Nota: para las instalaciones de "una hoja", en la tabla 2 se indica la asociación entre las fotocélulas y los relés.

Tabla 6	Programación de "dos hojas"	Ejemplo
1.	Presione y mantenga presionado el botón "P"; transcurridos alrededor de tres segundos el led "L" se enciende con luz fija, ahora suelte del botón.	  3s
2.	Espera unos cuatro segundos a que el IB complete el aprendizaje de los dispositivos conectados al concluir el aprendizaje, el led "L" se apaga y reanuda el parpadeo normal.	   4s

Nota: para las instalaciones de "dos hojas", en la tabla 3 se indica la asociación entre las fotocélulas y los relés

5) Ensayo y puesta en servicio

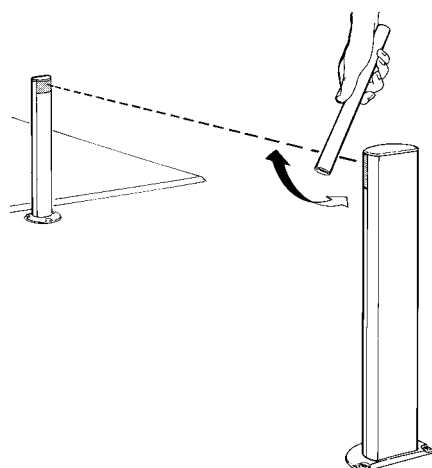
⚠ Atención: El ensayo y la puesta en servicio del automatismo deben ser realizados por personal cualificado y experto que deberá establecer los ensayos previstos de acuerdo con los riesgos presentes y controlar que se respeten las leyes, normativas y reglamentos, especialmente todos los requisitos de la norma EN 12445 que establece los métodos de ensayo de los automatismos para puertas.

5.1) Ensayo

El ensayo es la etapa más importante en la realización del automatismo a fin de garantizar la máxima seguridad.

El ensayo también puede usarse como control periódico de los dispositivos que componen el sistema.

1. Controle que se respeten estrictamente las indicaciones del capítulo 1 "ADVERTENCIAS".
2. Controle que las fotocélulas funcionen perfectamente y que no haya interferencias con otros dispositivos. Pase un cilindro de 5 cm de diámetro y de 30 cm de longitud por el eje óptico, primero cerca del TX y después cerca del RX y por último por el centro entre los dos y controle que el dispositivo se accione siempre pasando del estado activo al estado de alarma y viceversa.
3. Controle que cada vez que se active la fotocélula, la central cumpla la operación prevista; por ejemplo, al intervenir en FOTO durante la maniobra de cierre, debe producirse la inversión del movimiento.



10

5.2) Puesta en servicio

⚠ Atención: la puesta en servicio puede llevarse a cabo sólo después de haber efectuado correctamente todas las etapas de ensayo del automatismo. No está admitida la puesta en servicio parcial o en situaciones "precarias".

1. Antes de poner en servicio el automatismo, informe adecuadamente al propietario sobre los peligros y riesgos aún presentes.

2. Realice el fascículo técnico del automatismo que deberá estar formado de: dibujo de conjunto (por ejemplo figura 1), esquema de las conexiones eléctricas (por ejemplo figura 8), análisis de los riesgos y soluciones adoptadas, declaración de conformidad del fabricante de todos los dispositivos utilizados (para el IB utilice la "Declaración de conformidad CE" adjunta a este manual).

3. En el plan de mantenimiento incluya las prescripciones sobre el mantenimiento del IB (véase el capítulo 6).

6) Mantenimiento

⚠ Atención: el mantenimiento debe efectuarse respetando las prescripciones de seguridad de este manual y según las leyes y normativas vigentes.

1. Controle periódicamente, cada 6 meses por lo menos, el dispositivo IB y sus fotocélulas. A tal fin, realice todos los ensayos y controles previstos en el párrafo "5.1 Ensayo".

2. Controle que en el dispositivo IB no haya indicios que puedan indicar riesgos de conservación inadecuada del producto, por ejemplo manchas de humedad, óxido, etc. En dicho caso, sustituya el IB.

3. El dispositivo IB ha sido estudiado para funcionar en condiciones normales durante 10 años como mínimo, por lo que es oportuno intensificar la frecuencia de mantenimiento transcurrido dicho período.

7) Eliminación

⚠ Atención: algunos componentes podrían contener sustancias contaminantes; no los abandone en el medio ambiente.

Este producto está formado de diferentes tipos de materiales, algunos de ellos pueden reciclarse. Infórmese sobre los sistemas de reciclaje o eliminación del producto respetando las normas locales vigentes.

8) Diagnóstico y señales

En el dispositivo IB hay un led "L" (véase la figura 7) que provee las señales luminosas según el estado de funcionamiento.

Tabla 6 diagnóstico led "L"

Señal Led L	Estado	Acción
0,5 segundos ON y 0,5 segundos OFF alternativamente	Funcionamiento normal.	Todo OK
Apagado	IB no alimentado o averiado.	Controle la tensión en los cables rojo y negro, si la tensión es correcta es probable que el IB esté averiado.
Encendido fijo.	Programación o avería	Durante la programación es normal que el led quede encendido durante alrededor de 4 segundos De no ser así, es probable que esté averiado.
Parpadeo rápido	Inicialización o absorción de corriente excesiva en el bluebus	Ni bien se conecta la alimentación es normal que parpadee rápidamente durante alrededor de 2 segundos. De no ser así, hay una sobrecarga en el bluebus; controle que no haya cortocircuitos o averías en los dispositivos conectados.
Un parpadeo rápido repetido después de un segundo	Resultado del fototest negativo	Controle que las fotocélulas estén situadas tal como muestran las figuras relativas a la programación Controle que no haya otros dispositivos ópticos que interfieran con las fotocélulas.
2 parpadeos rápidos repetidos transcurrido un segundo	Configuración de dispositivos ausente.	Realice la programación (véase capítulo 4)
3 parpadeos rápidos repetidos transcurrido un segundo	Los dispositivos presentes actualmente en el bluebus son diferentes de aquellos memorizados	Si se han añadido o quitado dispositivos hay que hacer de nuevo la programación (véase el capítulo 4)
4 parpadeos rápidos repetidos transcurrido un segundo	Los datos en la memoria del IB (dispositivos) son incorrectos	Se recomienda hacer de nuevo la programación (véase el capítulo 4)
5 parpadeos rápidos repetidos transcurrido un segundo	Los datos en la memoria del IB (tipo de instalación) son incorrectos.	Se recomienda hacer de nuevo la programación (véase el capítulo 4)
6 parpadeos rápidos repetidos transcurrido un segundo	Nunca se ha programado el tipo de instalación.	Realice la programación (véase el capítulo 4)

9) Características técnicas

Nice S.p.a., a fin de mejorar sus productos, se reserva el derecho de modificar las características técnicas en cualquier momento y sin previo aviso, garantizando la funcionalidad y el uso previstos.

Nota: todas las características técnicas se refieren a una temperatura de 20°C

Tipo de producto	: Interfaz para detectores de presencia con tecnología bluebus y centrales para automatización de puertas con entrada tipo NC
Tecnología adoptada	: Interrogación ciclica de los dispositivos instalados
Alimentación	: 16÷35 Vdc 18÷28 Vac
Absorción con alimentación 24 Vdc	: 50mA (añadir alrededor de 50mA por cada par de fotocélulas)
Absorción con alimentación 24 Vac	: 44mA (añadir alrededor de 40mA por cada par de fotocélulas)
Salida bluebus	: Una con una carga máxima de 9 unidades bluebus
Longitud máxima total del cable bluebus	: 50m
Alimentación entrada fototest	: 16÷35 Vdc 18÷28 Vac
Tiempo para la ejecución del fototest	: < de 700ms
Número de salidas	: 3 ("foto", "foto 1", "foto 2")
Característica contactos relé Máximo	: 0.5 A con máximo 48 Vac/dcdc
Duración contactos relé	: > a 600.000 intervenciones AC11 o DC1111
Grado de protección caja	: IP30
Empleo en atmósfera ácida, salobre o con riesgo de explosión	: NO
Temperatura de trabajo	: -20°C + 55°C
Dimensiones / peso	: 86x58x22 mm / 72g

Nice S.p.a. se reserva el derecho de modificar los productos en cualquier momento en que lo considere necesario.

1) Ostrzeżenie:

Niniejsza instrukcja przeznaczona jest jedynie dla personelu technicznego z odpowiednimi kwalifikacjami do instalowania. Żadne informacje znajdujące się w niniejszej instrukcji nie są skierowane do końcowego użytkownika. Instrukcja ta odnosi się tylko do IB i nie może być zastosowana do innych produktów.

- Instalowanie, próby odbiorcze i rozruch automatyki drzwi i bram musi być wykonany przez wykwalifikowany personel.
- Ten, kto wykonuje instalację zobowiązany jest do ustalenia przewidzianych prób mając na uwadze istniejące ryzyko. Zobowiązany jest również do sprawdzenia czy normy i przepisy dotyczące automatyki są przestrzegane.

• Przed rozpoczęciem instalowania należy uważnie przeczytać niniejszą instrukcję. Niewłaściwe użytkowanie lub błąd w połączeniach może obniżyć bezpieczeństwo i spowodować nieprawidłowe funkcjonowanie urządzeń.

• Przed instalowaniem należy również sprawdzić czy urządzenie posiada wymagane cechy; zweryfikować czy parametry automatyki zgadzają się z wartościami znajdującymi się w rozdziale "Dane techniczne". W przeciwnym wypadku IB nie może być zastosowany.

2) Opis produktu i przeznaczenie.

Urządzenie IB jest interfejsem, który służy do połączenia czujników obecności wykonanych w technologii „bluebus” (fotokomórki MOFB i MOFOB) z klasycznymi centralami, które posiadają wejścia dla styków tradycyjnych typu NC (Zwykle Zamknięte).

LPołączenie IB z MOFB i MOFOB służy do zrealizowania systemu ochrony (typu D według normy 12453), który stosowany jest w automatyce do bram i drzwi automatycznych. Stosując funkcję fototestu można osiągnąć 2 kategorię bezpieczeństwa zgodnie z

normą EN 954-1.

Dzięki zastosowaniu technologii bluebus instalowanie staje się nadzwyczaj łatwe; do połączenia wszystkich urządzeń równolegle wystarczą dwa przewody (bez zachowania biegunowości). Technologia, w której zastosowany jest system synchronizacji automatycznej, rozwiązuje problem interferencji pomiędzy fotokomórkami.

3) Instalowanie

⚠ Uwaga: Instalowanie wykonać po odłączeniu zasilania.

Uwaga: przed instalowaniem wykonać należy analizę ryzyka i określić ilość niezbędnych fotokomórek dla danej instalacji automatyki.

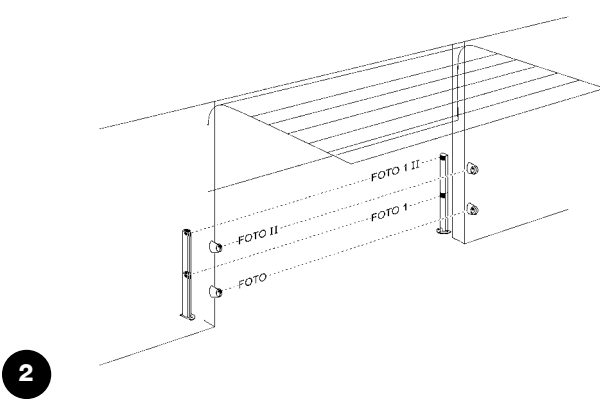
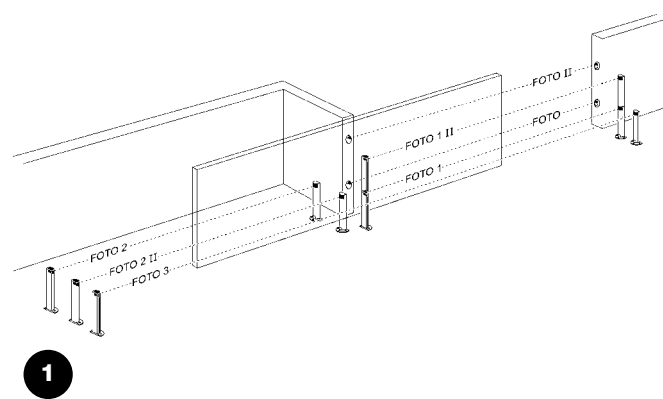
Urządzenie IB może być zastosowane w różnych rodzajach instalacji automatyki do drzwi i bram. Sposób instalowania czujników jest różny w zależności od typu instalacji; patrz tabela 1 - instalowanie i programowanie.

Tabela 1

Typ instalacji	Instalowanie: patrz rozdział	Programowanie: patrz tabela
Brama "przesuwna"		
Brama "sekcyjna"	3.1 Instalacja typu "jednoskrzydłowego"	Tabela 5
Brama z "dwuskrzydłowa"		
Brama "wahadłowa"	3.2 Instalacja typu "dwuskrzydłowego"	Tabela 6

3.1) Instalacja typu "jednoskrzydłowego"

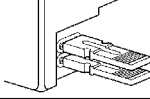
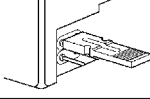
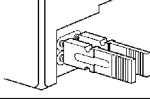
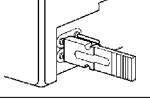
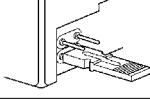
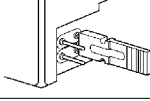
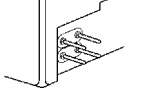
W automatyce typu "jednoskrzydłowego" w bramach przesuwnych fotokomórki można ustawić tak, jak na rysunku 1, a dla bram sekcyjnych tak, jak przedstawiono na rysunku 2.



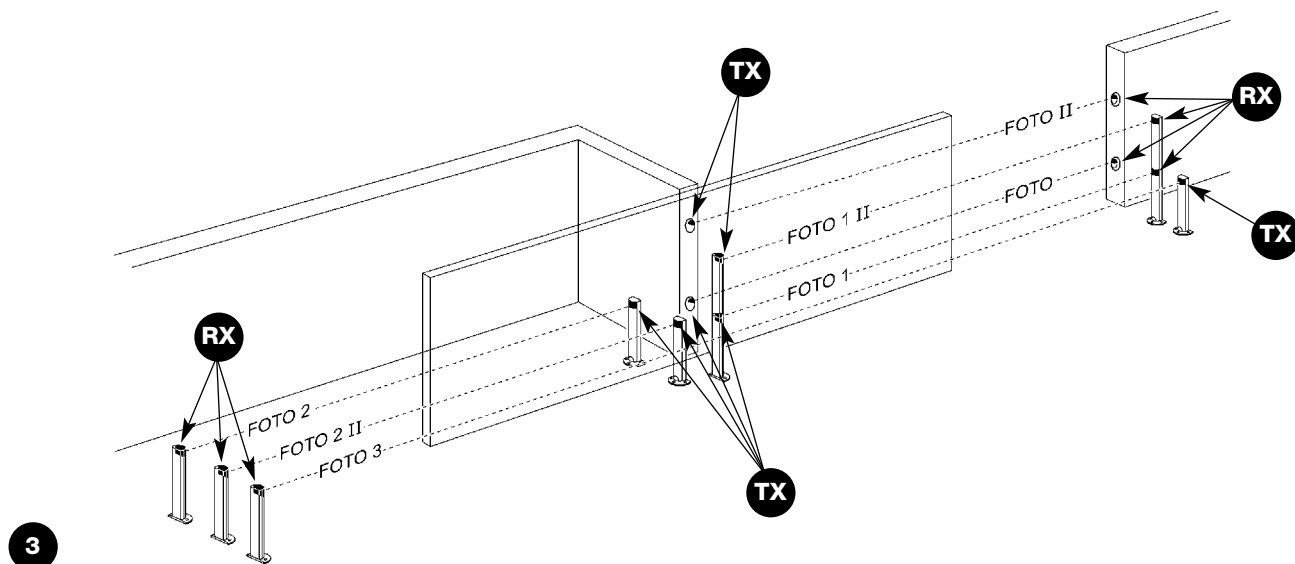
Na rysunkach przedstawiona została maksymalna ilość fotokomórek, można jednak zainstalować ich mniej; w fazie programowania IB automatycznie rozpozna urządzenia rzeczywiście zainstalowane.

Aby IB rozpoznał fotokomórki połączone do bluebus, należy nadać każdej adres odpowiedni do wykonywanej funkcji miejsca instalacji. Czynności związane z nadaniem adresu polegają na założeniu mostka (zworki) w każdej fotokomórce TX i RX tak, jak przedstawiono w tabeli 2.

Tabela 2 Instalacje typu "jednoskrzydłowego"

	Fotokomórka	Mostk	Interwencja na wyjściu IB
FOTO	Fotokomórka "zewnątrzna dolna" na bramie przesuwnej lub "wewnętrzna dolna" na bramie sekcyjnej z interwencją przy zamykaniu.		Przełącznik: "foto" (patrz uwaga A)
FOTO II	Fotokomórka "zewnątrzna górna" na bramie przesuwnej lub "wewnętrzna górna" na bramie sekcyjnej z interwencją przy zamykaniu.		Przełącznik: "foto" (patrz uwaga A)
FOTO 1	Fotokomórka "wewnętrzna dolna" na bramie przesuwnej "zewnątrzna dolna" na bramie sekcyjnej z interwencją przy zamykaniu.		Przełącznik: "foto" (patrz uwaga A)
FOTO 1 II	Fotokomórka "wewnętrzna górna" na bramie przesuwnej lub "zewnątrzna górna" na bramie sekcyjnej z interwencją przy zamykaniu.		Przełącznik: "foto" (patrz uwaga A)
FOTO 2	Fotokomórka "zewnątrzna" z interwencją w otwieraniu.		Przełącznik: "foto2" (patrz uwaga B)
FOTO 2 II	Fotokomórka "wewnętrzna" z interwencją w otwieraniu.		Przełącznik: "foto2" (patrz uwaga B)
FOTO 3	Fotokomórka "jedyna", która obsługuje całą automatykę z interwencją w otwieraniu i zamykaniu.		Przełącznik "foto" i przełącznik (patrz uwaga C).

UWAGA (dla FOTO 3): Zwykle nie ma ograniczeń w ustawieniu par elementów (TX – RX), które tworzą poszczególne fotokomórki; tylko w wypadku zastosowania fotokomórki FOTO 3 razem z FOTO II należy przestrzegać rozmieszczenia elementów tak, jak przedstawiono na rysunku 3.



Uwaga A: Fotokomórki FOTO, FOTO II, FOTO 1 i FOTO 1 II mają wpływ na stan przełącznika "foto"; gdy jedna z tych czterech linii fotokomórek zostanie zasłonięta to IB otworzy styk przełącznika wyjścia "foto".

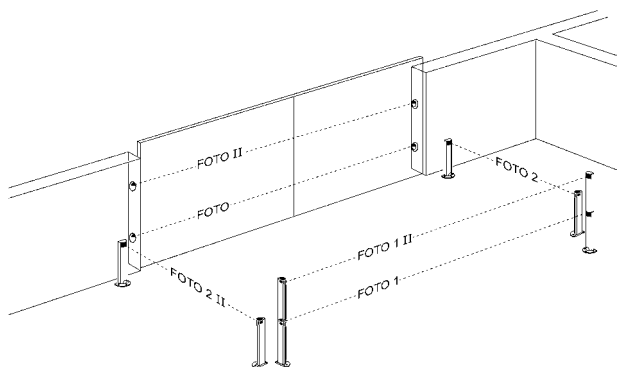
Uwaga B: Fotokomórki FOTO 2 i FOTO 2 II mają wpływ na stan przełącznika "foto 2"; gdy jedna z dwóch linii fotokomórek zostanie zasłonięta to IB otworzy styk przełącznika wyjścia "foto 2".

Uwaga C: Fotokomórka FOTO 3 ma wpływ na stan przełącznika "foto" i "foto 2", gdy linia ta zostanie zasłonięta to IB otworzy styk dwóch przełączników "foto" i "foto 2".

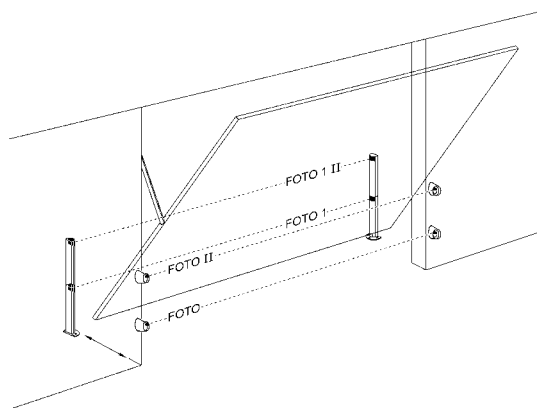
W konfiguracji typu "jednoskrzydłowego" wyjście przełącznika "foto 1" nie jest używane i styk pozostanie w pozycji NO (Zwykle Otwarty).

3.2) Instalacja typu „dwuskrzydłowego”

W automatyce typu "dwuskrzydłowego" w bramach dwuskrzydłowych fotokomórki można ustawić tak, jak na rysunku 4, a dla bram wahadłowych tak, jak przedstawiono na rysunku 5.



4



5

Uwaga: Podczas fazy otwierania i zamykania brama nie może zasłaniać fotokomórek FOTO 1 i FOTO 1II.

Na rysunkach przedstawiona została maksymalna ilość fotokomórek, można jednak zainstalować ich mniej; w fazie programowania IB automatycznie rozpozna urządzenia rzeczywiście zaistalowane.

Aby IB rozpoznał fotokomórki podłączone do bluebus, należy nadać każdej adres odpowiedni do wykonywanej funkcji-miejsca instalacji.

Czynności związane z nadaniem adresu polegają na założeniu mostka (zworki) w każdej fotokomórcie TX i RX tak, jak przedstawiono w tabeli 3.

Tabela 3 Instalacja typu „dwuskrzydłowego”.			
	Fotokomórka	Mostki (zworki)	Interwencja na wyjściu IB.
FOTO	Fotokomórka "zewnętrzna dolna" na bramie dwuskrzydłowej lub "wewnętrzna dolna" na bramie wahadłowej z interwencją przy zamykaniu.		Przełącznik: "foto" (patrz uwaga A)
FOTO II	Fotokomórka "zewnętrzna górna" na bramie dwuskrzydłowej lub "wewnętrzna górna" na bramie wahadłowej z interwencją przy zamykaniu.		Przełącznik: "foto" (patrz uwaga A)
FOTO 1	Fotokomórka "wewnętrzna dolna" na dwóch skrzydłach lub "zewnętrzna dolna" na wahadłowych wystających z interwencją podczas zamykania jak i otwierania.		Przełącznik: "foto 1" (patrz uwaga B)
FOTO 1 II	Fotokomórka "wewnętrzna górna" na dwóch skrzydłach lub "zewnętrzna górna" na wahadłowych wystających z interwencją podczas zamykania jak i otwierania.		Przełącznik: "foto 1" (patrz uwaga B)
FOTO 2	Fotokomórka "prawa" z interwencją w otwieraniu.		Przełącznik: "foto 2" (patrz uwaga C)
FOTO 2 II	Fotokomórka "lewa" z interwencją w otwieraniu.		Przełącznik: "foto 2" (patrz uwaga C)

Uwaga A: Fotokomórki FOTO, FOTO II mają wpływ na stan przełącznika "foto"; gdy jedna z tych dwóch linii fotokomórek zostanie zasłonięta to IB otworzy styk przełącznika wyjścia "foto"

Uwaga B: Fotokomórki FOTO 1 i FOTO 1 II mają wpływ na stan przełącznika "foto 1"; gdy jedna z tych dwóch linii fotokomórek zostanie zasłonięta to IB otworzy styk przełącznika wyjścia "foto 1".

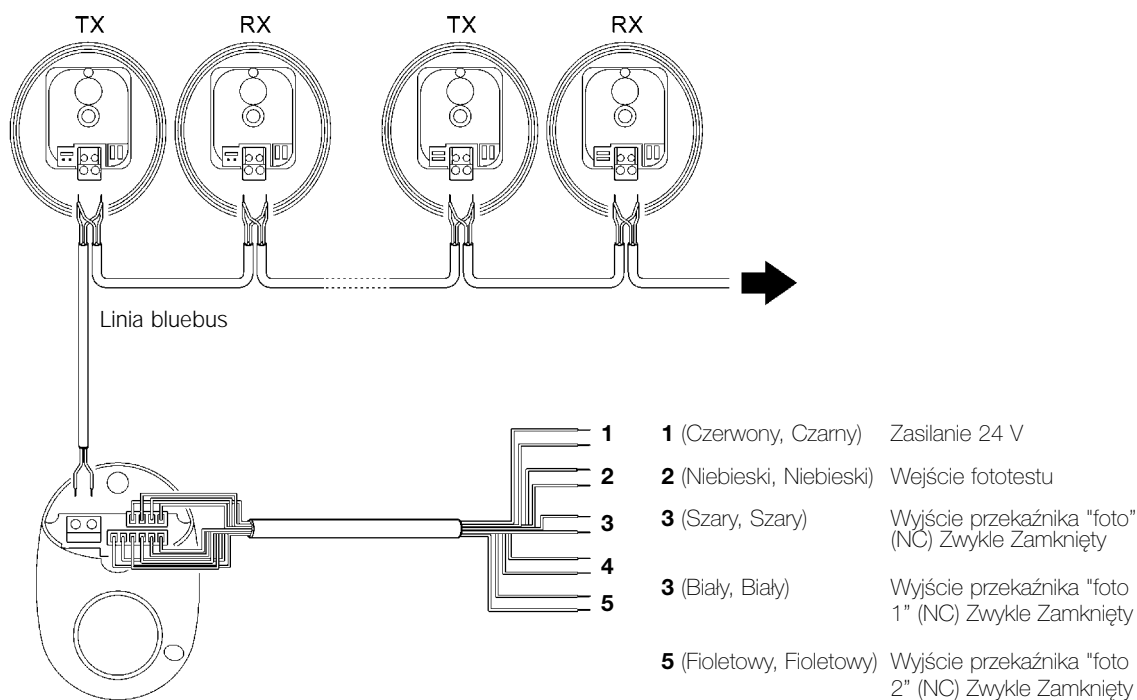
Uwaga C: Fotokomórki FOTO 2 i FOTO 2 II mają wpływ na stan przełącznika "foto 2"; gdy jedna z dwóch linii fotokomórek zostanie zasłonięta to IB otworzy styk przełącznika wyjścia "foto 2".

3.3) Połączenia elektryczne

IB posiada 3 wyjścia przekaźnikowe "foto", "foto 1" i "foto 2" ze stykami normalnie zamkniętymi (NC), dostosowanymi do podłączenia do właściwych wejść w centralach sterujących.

W przypadku, gdy centrala nie posiada któregoś wejścia "foto" należy pozostawić w stanie wolnym właściwe przewody wyjścia IB. Nie ma więc sensu zainstalowanie fotokomórek, które miałyby wpływ na te wyjścia.

Przy łączeniu urządzeń bluebus zaleca się zastosowanie przewodu 2x0,5mm² (do 20 metrów długości przewodu), lub przewodu 2x1mm² powyżej 20, do 50 metrów.



6

3.3.1) Opis połączeń.

Przedstawiamy krótki opis połączeń elektrycznych urządzenia IB.

Tabela 4 Połączenia		
Kolor przewodów	Funkcja	Opis
Czerwony, Czarny	Zasilanie 24 V pp/ps	Linia zasilająca 18÷28 Vpp; 16÷35 Vps
Niebieski, Niebieski	Fototest	Wejście (zwykle aktywne) fototestu
Szary, Szary	Wyjście "foto"	Wyjście styków przekaźnika "foto" (NC)
Biały, Biały	Wyjście "foto1"	Wyjście styków przekaźnika "foto 1" (NC)
Fioletowy, Fioletowy	Wyjście "foto 2"	Wyjście styków przekaźnika "foto 2" (NC)

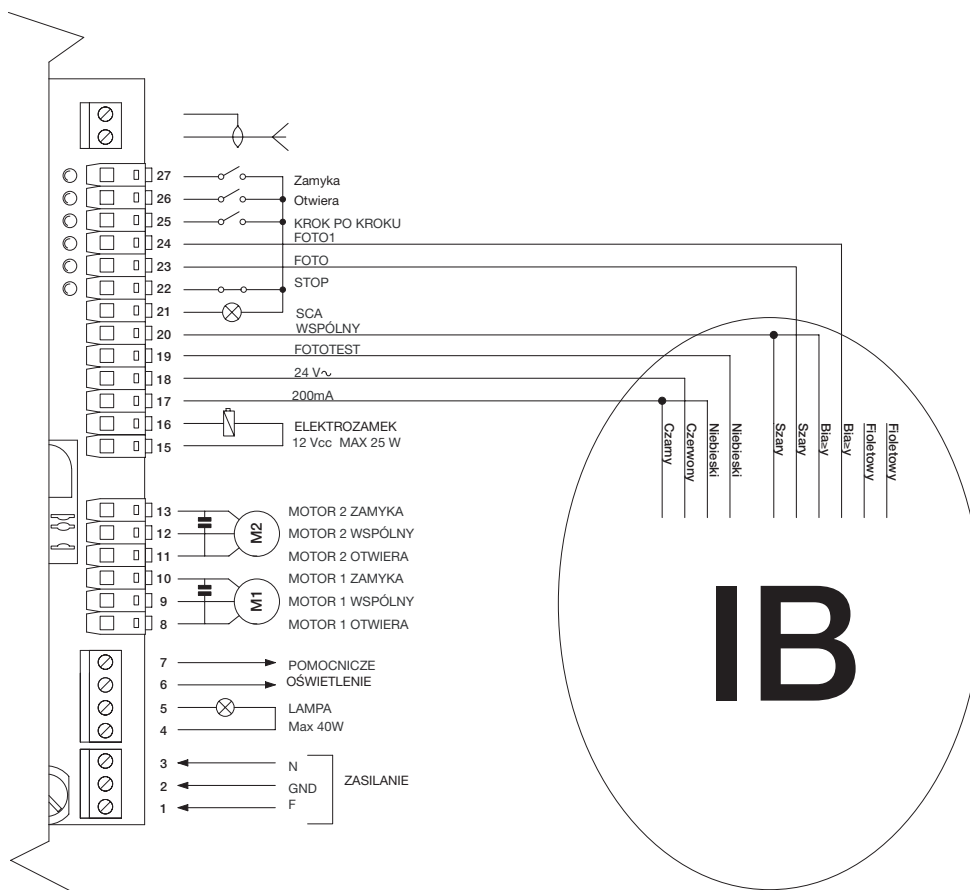
3.3.2) Fototest

IB posiada wejście do wykonania testów wszystkich fotokomórek wówczas, kiedy centrala tego zażąda. Test ten jest niezbędny w celu uzyskania 2 kategorii w ramach poziomu bezpieczeństwa zgodnie z normą EN 954-1.

Wejście fototestu IB musi być podłączone do wyjścia fototestu w centrali. Nie ma tu potrzeby przestrzegania biegunowości (patrz przykład na rysunku 7). Gdy centrala nie posiada funkcji fototestu lub, gdy nie zamierzamy jej zastosować należy podłączyć wejście fototestu do zacisków zasilających IB (tam gdzie przewody czerwony i czarny - patrz przykład na rysunku 8).

3.3.3) Przykład zastosowania IB z centralą A60 i z fototestem

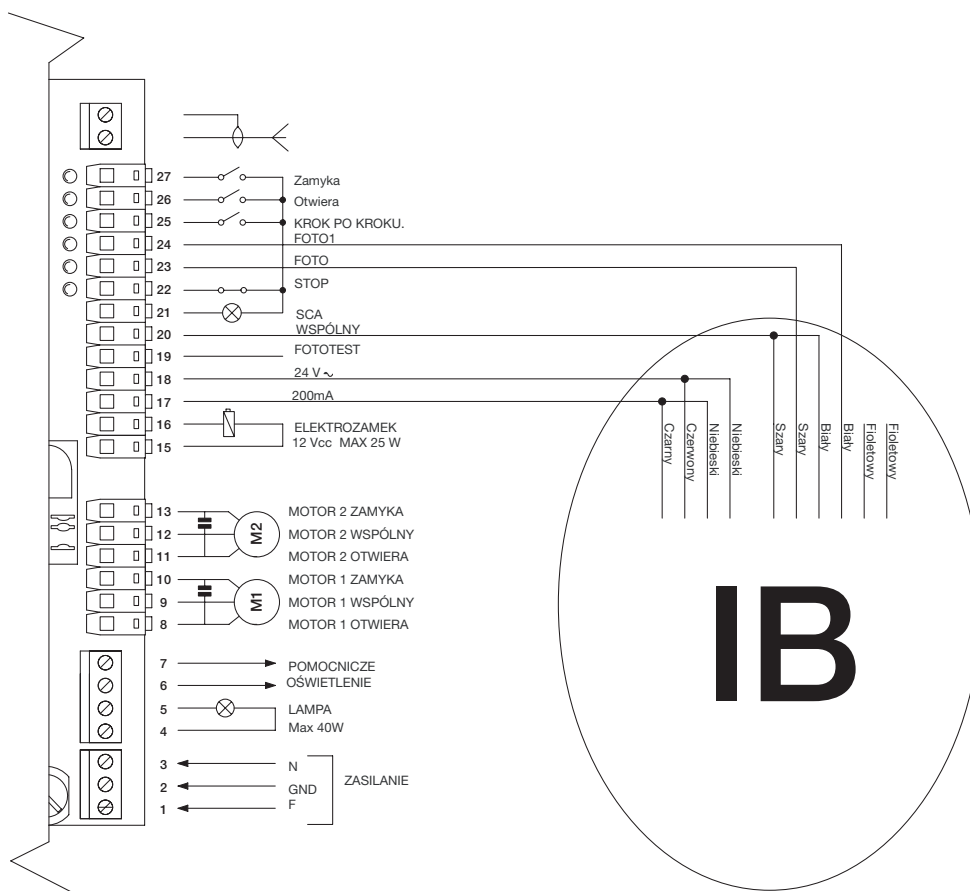
Rysunek 7 jest przykładem podłączenia urządzenia IB do centrali A60 z fototestem.



7

3.3.4) Przykład zastosowania IB z centralą A60 bez fototestu

Rysunek 8 jest przykładem podłączenia urządzenia IB do centrali A60 bez fototestu.



8

4) Programowanie

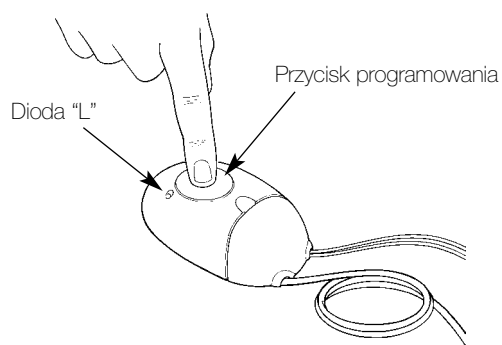
Podczas fazy programowania IB wykonuje autoodczyt i kontrolę funkcjonowania fotokomórek podłączonych do bluebus; wszystkie parametry zostaną zapamiętane i przechowane w pamięci nawet, gdy zdarzy się awaria zasilania.

Programowanie musi być wykonane w fazie instalowania automatyki lub za każdym razem, kiedy dodaje się lub usuwa urządzenia.

Programowanie nie jest potrzebne, kiedy wymienia się fotokomórkę, ale pozostawiony jest jej oryginalny adres.

Dwa różne rodzaje automatyki, "jednoskrzydłowej" i "dwuskrzydłowej" należy zaprogramować różnymi procedurami programowania.

patrz tabela 5 dla "jednoskrzydłowych" lub tabela 6 dla "dwuskrzydłowych"



9

Tabela 5	Programowanie typu „jednoskrzydłowego”	Przykład
1.	Nacisnąć i utrzymać pod naciskiem przycisk "P". Po około trzech sekundach dioda "L" zaświeci się światłem ciągłym.	3s
2.	Wcisnąć przycisk poczekać jeszcze około 4 sekund, aby IB zakończył autoodczyt. Wówczas dioda "L" przestanie świecić się w sposób ciągły i zacznie pulsować.	4s
3.	Zwolnić przycisk "P".	

Uwaga: informacje odnoszące się do instalacji typu "jednoskrzydłowego" i związane z zależnością pomiędzy fotokomórkami i przekaźnikami przedstawione są w tabeli 2.

Tabela 6	Programowanie typu „dwuskrzydłowego”	Przykład
1.	Nacisnąć i utrzymać pod naciskiem przycisk "P". Po około trzech sekundach dioda "L" zaświeci się światłem ciągłym. Wówczas zwolnić przycisk.	3s
2.	Odczekać około 4sekundy tak, aby IB zakończył autoodczyt podłączonych urządzeń. Po zakończeniu odczytu dioda "L" wyłączy się i zacznie pulsować.	4s

Uwaga: informacje odnoszące się do instalacji typu "dwuskrzydłowego" i związane z zależnością pomiędzy fotokomórkami i przekaźnikami przedstawione są w tabeli 3.

5) Próby odbiorcze i rozruch

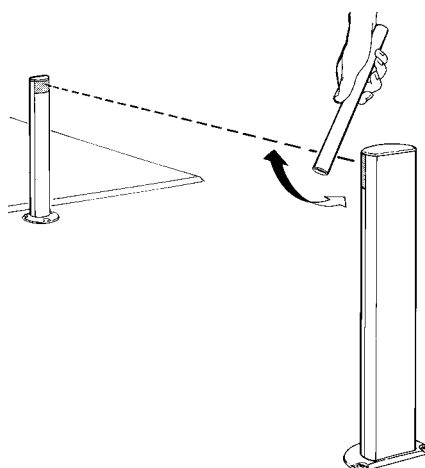
⚠ Uwaga: Próby ostateczne automatyki muszą być wykonane przez doświadczonego i wykwalifikowanego personel ze względu na to, że niosą pewne zagrożenia. Sprawdzić również czy wszelkie normy prawne, bezpieczeństwa i regulaminy są przestrzegane a szczególnie norma EN 12445, która ustala sposoby wykonywania kontroli automatyki bram.

5.1) Próby odbiorcze

Próby są fazą najważniejszą w realizacji automatyki i mają na celu zagwarantowanie jej bezpieczeństwa.

Próby odbiorcze można też stosować przy okresowej kontroli części składowych systemu.

1. Sprawdzić, czy warunki zawarte w rozdziale 1 "Ostrzeżenia" zostały spełnione.
2. Sprawdzić funkcjonowanie fotokomórek i czy inne urządzenia nie zakłócają ich działania. Przesunąć cylinder o średnicy 5 cm i długości 30 cm w poprzek osi optycznej; zbliżyć cylinder do fotokomórki TX, następnie do RX i na koniec przesunąć po środku pomiędzy dwoma fotokomórkami. Sprawdzić czy w tych trzech fazach linia FOTO zainterweniuje, czyli przejdzie ze stanu aktywnego do stanu alarmowego i na odwrót.
3. Sprawdzić, czy po każdej interwencji fotokomórki centrala odpowiednio zachowa się; np., przecięcie FOTO w ruchu zamykania spowoduje zmianę kierunku ruchu.



10

5.2) Rozruch

⚠️ **Attenzione:** Automatyka może być przekazana do eksploatacji po uzyskaniu pozytywnych wyników z poszczególnych faz testów odbiorczych. Niedozwolone jest przekazanie częściowe lub "tymczasowe".

1. PPrzed przekazaniem automatyki należy poinformować właściciela o zagrożeniach i ryzyku związanym z jej eksploatacją.

2. Dokumentacja techniczna automatyki powinna zawierać co najmniej: schemat połączeń elektrycznych (np. rysunek 8), analizę ryzyka i zastosowane układy bezpieczeństwa; deklarację zgodności producenta wszystkich zastosowanych urządzeń (dla IB zastosować "Deklarację zgodności CE" znajdującą się w niniejszych instrukcjach).

3. NW programie czynności konserwacyjnych należy umieścić także instrukcje czynności konserwacyjnych IB (patrz rozdział 6).

6) Czynności konserwacyjne

⚠️ **Uwaga:** czynności konserwacyjne należy wykonać ściśle przestrzegając norm bezpieczeństwa umieszczonych w niniejszej instrukcji oraz innych aktualnie obowiązujących przepisów.

1. Co jakiś czas, np. co 6 miesięcy sprawdzać funkcjonowanie urządzenia IB i fotokomórek. W tym celu wykonać kompletną kontrolę urządzenia według paragrafu 5.1 "Próby odbiorcze".

2. Zwrócić uwagę czy IB jest w dobrym stanie, czy na skutek jego złego zabezpieczenia nie pojawiły się ślady wilgoci, rdzy, oksydacji, itp. Gdy stan urządzenia nie jest odpowiedni należy je wymienić.

3. Urządzenie IB zostało tak skonstruowane, że czas funkcjonowania w normalnych warunkach przewiduje się na okres około 10 lat. Zaleca się więc wykonanie czynności konserwacyjnych części.

7) Utylizacja

⚠️ **Uwaga:** Niektóre elementy mogą zawierać substancje trujące, nie wolno ich porzucać w przypadkowych miejscach. Produkt ten składa się z wielu surowców, niektóre z nich mogą być wtórnie przerobione. Należy zasięgnąć informacji odnośnie sposobów przerobu i utylizacji materiałów według aktualnie obowiązujących norm miejscowych.

8) Diagnostyka i sygnalizacja

Na urządzeniu IB znajduje się dioda "L" (patrz rysunek 7), która informuje sygnalizacją świetlną o stanie funkcjonowania.

Tabela 6 diagnostyka diody „L”

Sygnalizacja Diody	Stan	Czynność
0,5 sekundy ON i 0,5 sekundy OFF (pulsowanie)	Funkcjonowanie prawidłowe	Wszystko OK.
Nie świeci się	IB nie jest zasilane lub jest uszkodzone.	Gdy na przewodzie czerwonym i czarnym jest napięcie to możliwe jest, że IB jest uszkodzone.
Dioda świeci się światłem stałym.	Programowanie w toku lub uszkodzenie.	W czasie programowania normalne jest, że dioda świeci się przez 4 sekundy. W innym przypadku jest możliwe, że urządzenie jest popsute.
Dioda szybko pulsuje	Faza początkowa lub nadmierny pobór prądu w bluebus.	Zaraz po włączeniu zasilania normalne jest szybkie pulsowanie przez około 2 sekundy. W innym przypadku zaistniało przeciążenie bluebus. Możliwość wystąpienia zwarcia lub uszkodzenia któregoś z urządzeń.
Szybkie i powtarzające się co sekundę pulsowanie diody.	Negatywny wynik fototestu.	Sprawdzić, czy fotokomórki zostały ustawione tak, jak przedstawiono na rysunkach związanych z programowaniem. Sprawdzić, czy przypadkiem inne urządzenia nie wywołują zakłóceń w pracy fotokomórek.
Podwójne szybkie mignięcie diody powtarzające się co sekundę	Układ niezaprogramowany	Wykonać programowanie (patrz rozdział 4)
Potrójne szybkie mignięcia diody, powtarzające się co sekundę.	Urządzenia podłączone do bluebus są inne od zapamiętanych.	Gdy zostały zamontowane dodatkowe urządzenia należy zaprogramować system od nowa (patrz rozdział 4)
Cztery szybkie mignięcia diody, powtarzające się co sekundę.	Dane w pamięci IB nie są prawidłowe.	Dane w pamięci IB nie są prawidłowe programowanie (patrz rozdział 4).
Pięć szybkich mignięć diody, powtarzające się co sekundę.	Dane w pamięci IB (rozpoznanie rodzaju urządzenia) nie są prawidłowe.	Zalecamy aby powtórzyć programowanie (patrz rozdział 4)
Sześć szybkich mignięć diody, powtarzające się co sekundę.	Nie przeprowadzono w ogóle procedury programowania.	Wykonać programowanie (patrz rozdział 4).

9) Dane techniczne

Firma Nice S.p.A. ma prawo wprowadzać zmiany w parametrach technicznych własnych produktów w jakiegokolwiek chwili i bez uprzedzenia, ale gwarantując ich funkcjonalność i przewidziane instrukcją zastosowanie.

Uwaga: wszystkie cechy techniczne odnoszą się do temperatury pracy równej 20° C

Rodzaj produktu	: Interfejs czujników obecności z technologią bluebus do centrali automatyki drzwi i bram z wejściami typu NC (Zwykle zamknięte).
Zastosowana technologia	: Kontrola cykliczna podłączonych urządzeń.
Zasilanie	: 16 ÷ 35 Vps 18 ÷ 28 Vpp
Pobór prądu przy zasilaniu 24 Vps	: 50mA (dodać około 50mA dla każdej pary fotokomórek).
Pobór prądu przy zasilaniu 24 Vpp	: 44mA (dodać około 40mA dla każdej pary fotokomórek).
Wyjście bluebus	: jedno z maksymalną ilością 9 urządzeń bluebus
Całkowita max. długość linii bluebus	: 50m
Zasilanie wejścia fototestu	: 16 ÷ 35 Vps, 18 ÷ 28 Vpp
Czas na wykonanie fototestu	: < niż 700ms
Ilość wyjść	: 3 ("foto", "foto 1", "foto 2")
Obciążalność styków przekaźnika:	: Maksymalnie 0.5 A przy maksimum 48 Vpp/ps
Trwałość styków przekaźnika:	: niż 600.000 zdarzeń AC11 lub DC11
Stopień zabezpieczenia obudowy	: IP30
Zastosowanie w atmosferze kwaśnej, solnej lub potencjalnie wybuchowej	: NIEDOPUSZCZALNE
Temperatura pracy	: -20°C + 55°C
Wymiary / waga	: 86x58x22 mm / 72g

Nice S.p.a. rezerwuje sobie prawo do wprowadzania zmian w produktach w każdej chwili.

Dichiarazione CE di conformità / EC declaration of conformity

(secondo Direttiva 89/336/CEE) (according to 89/336/EEC Directive)

Numero / Number: 178/IB

Data / Date: 10/10/2003

Revisione / Revision: 0

Il sottoscritto Lauro Buoro, Amministratore Delegato, dichiara che il prodotto

The undersigned Lauro Buoro, General Manager of the following producer, declares that the product

Nome produttore / Producer name: NICE S.p.a.
Indirizzo / Address: Via Pezza Alta 13, 31046 Z.I. Rustignè - ODERZO - ITALY
Modello / Model: IB
Accessori / Accessories: Nessun accessorio / No accessory

Soddisfa i requisiti essenziali della Direttiva 89/336/CEE sulla compatibilità elettromagnetica. / Meets the essential requirements of Directive 89/336/EEC concerning electromagnetic compatibility.

Oderzo, 10 Ottobre 2003

Amministratore delegato
(General Manager)
Lauro Buoro



COMPANY
WITH QUALITY SYSTEM
CERTIFIED BY DNV
=ISO 9001/2000=

Nice S.p.a. Oderzo TV Italia
Via Pezza Alta, 13 Z.I. Rustignè
Tel. +39.0422.85.38.38
Fax +39.0422.85.35.85
info@niceforyou.com

Nice Padova Sarameola I
Tel. +39.049.89.78.93.2
Fax +39.049.89.73.85.2
info.pd@niceforyou.com

Nice Roma I
Tel. +39.06.72.67.17.61
Fax +39.06.72.67.55.20
info.roma@niceforyou.com

Nice Belgium
Leuven (Heverlee) B
Tel. +32.(0)16.38.69.00
Fax +32.(0)16.38.69.01
info@nicebelgium.be

Nice España Madrid E
Tel. +34.9.16.16.33.00
Fax +34.9.16.16.30.10
kamarautom@nexo.es

Nice France Buchelay F
Tel. +33.(0)1.30.33.95.95
Fax +33.(0)1.30.33.95.96
info@nicefrance.fr

Nice France Sud Aubagne F
Tel. +33.(0)4.42.62.42.52
Fax +33.(0)4.42.62.42.50
info.marseille@nicefrance.fr

Nice Rhône-Alpes
Decines Charpieu F
Tel. +33.(0)4.78.26.56.53
Fax +33.(0)4.78.26.57.53
info.lyon@nicefrance.fr

Nice Polska Pruszków PL
Tel. +48.22.728.33.22
Fax +48.22.728.25.10
nice@nice.com.pl

www.niceforyou.com

REV. 00

IST 153 4864