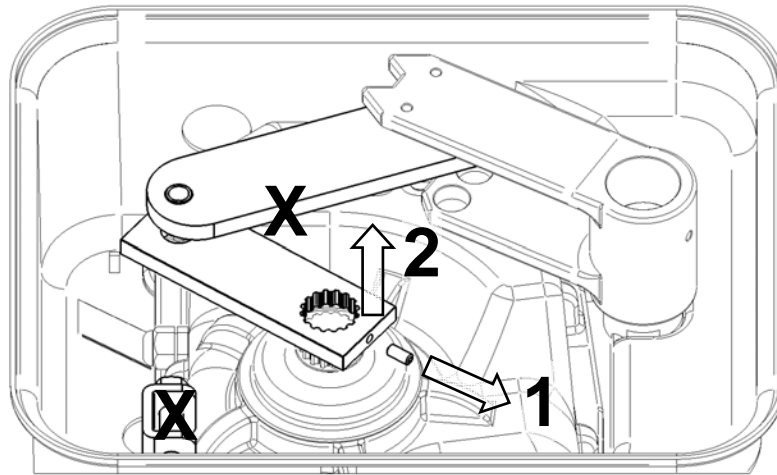
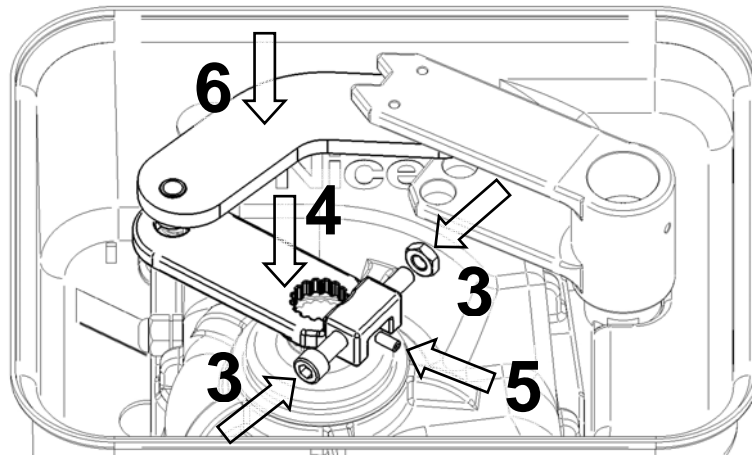


METRO - ISTME15.4865 rev.1

A**B****C**