

## RX2WP-RC

ET BLU Mix<sup>®</sup> Enhanced rolling code receiver.

Power supply:	12 - 90mA @ 10 – 30v AC/DC.
Channels:	2 x Dry contact relay outputs
Load limit on output:	1A @ 220v AC
Memory capacity:	31 users.
Frequency:	433.92MHz.



### Navigation of menu:

**The menu cannot be accessed if either output is latched on!** LED flashes rapidly if an output is latched on while trying to access the programming.

Press and release the **PRG Button** to advance through the menu options. The menu will loop back to option 1 on the fifth **PRG Button** press. To exit programming, wait 30sec or power cycle the receiver.

### Menu Options:

1. **Pair** a transmitter channel code, **to channel 1.** (LED will **flash once** every 3sec)
2. **Pair** a transmitter channel code, **to channel 2.** (LED will **flash twice** every 3sec)
3. **Toggle channel 1** output between **latch and pulse.** (LED will **flash 3 times** every 3sec)
4. **Toggle channel 2** output between **latch and pulse.** (LED will **flash 4 times** every 3sec)

**Pairing:** (How to add user codes into memory) [YouTube video.](#)

1. **Press and release** the **PRG Button** once or twice to select the required channel on the **RX2-MICRO.**
2. **Begin** by **transmitting** with the **required transmitter channel. Keep transmitting!!**
3. While transmitting **press and hold** the **PRG Button.**
4. When **RX LED flashes** release the **PRG Button** and stop transmitting. (+/- 5sec)
  - **1 long flash = Successful.**
  - **3 rapid flashes = No correct TX seen.**
  - **10 rapid flashes = Memory full.**

### Latch or pulse output:

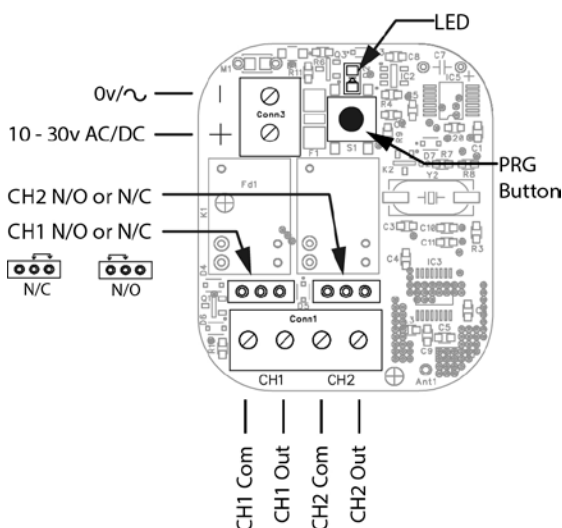
1. **Press and release** the **PRG Button** three or four times to select the desired channel on the **RX2- MICRO.**
2. While the **RX LED flashes** the **correct number of times, press and hold** the **PRG Button.**
3. When the **RX LED flashes,** release the **PRG Button.** (+/- 3sec)
  - **1 long flash = Latch mode selected.**
  - **3 rapid flashes = Pulse mode selected.**

### Master erase:

1. While the **RX is powered down, press and hold** the **PRG Button.**
2. While **holding** the **PRG Button, power up.**
3. **Wait** for the **RX LED** to **complete** the following. (+/- 15sec)
  - **"Flashing"** = Master erase is about to begin.
  - **"Static off"** = Erasing.
  - **"Static on"** = Master erase is complete.
4. **Release** the **PRG Button** and **power down.**
5. **Return power** without pressing the **PRG Button.**

### Selecting N/O or N/C switch type for a channel:

1. Check selection jumper, for the required channel, as per the diagram below.
2. Change jumper position if necessary.



[supportza@niceforyou.com](mailto:supportza@niceforyou.com)

+27 21 404 0800

Ref: RX2WPRC 2019\_09\_10\_002P