



BY

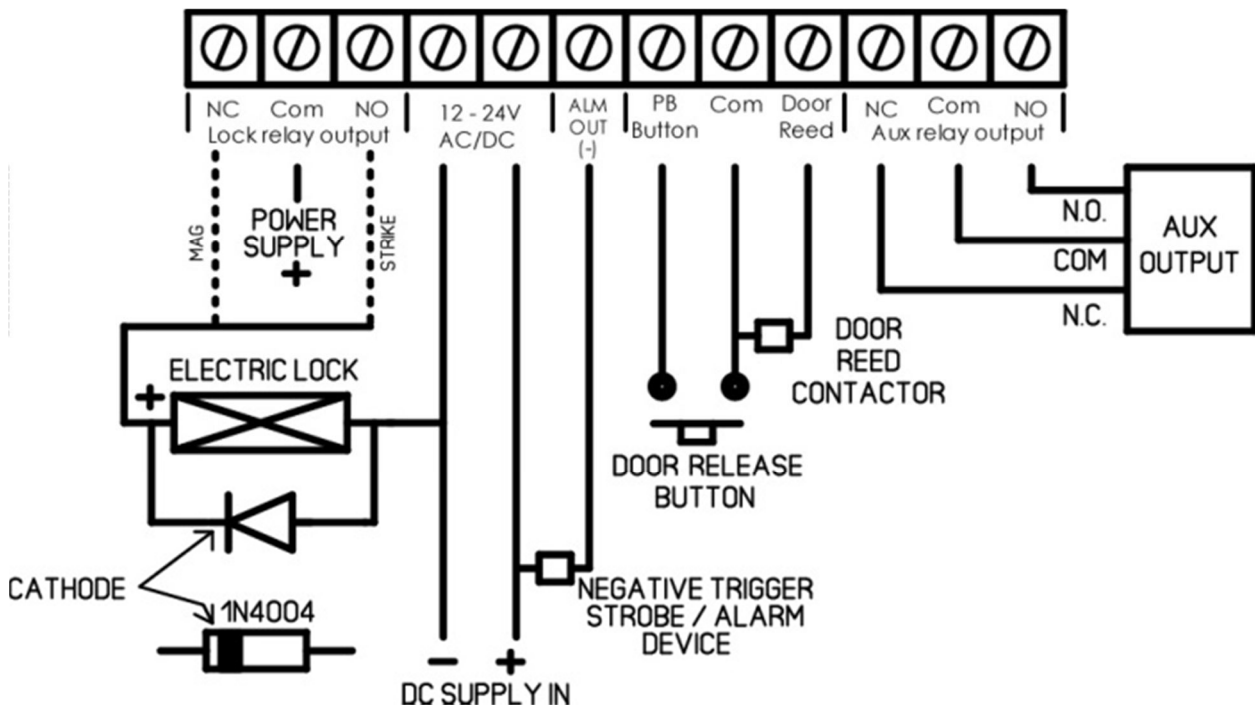


SYSTEMS

SECURITY PRODUCTS SPECIALISTS



Operating voltage	12 - 24V AC or DC
Max. Standby current	100mA VDC
Lock and Aux relay rating	3A @15VDC
Weather resistance	IP65
Max. user memory Lock relay	98 user codes
Max. user memory Aux. relay	1 user codes
Max. Load on alarm output.	100mA VDC (Open collector)



PLEASE TAKE NOTE BEFORE COMMENCING WITH PROGRAMMING!

Master code:

- The master code is used to access programming mode. **(Default master code = 1234)**
- The master code can be 4 to 8 digits in length.
- The number of digits used for the master code will determine the length of all user codes (Lock, Aux and bypass users) i.e. the default master code is 1234 so therefore all user codes will be 4 digits long.
- If the master code length is changed after user codes have already been programmed, the following will occur.
Master code shortened – the last digits of the user code will be dropped making the user codes the same length as the master code.
I.e. the old master code was 123456 and user 01 was 987654.
New master is 1234. User 01 becomes 9876.
Master code length increased – zeros will be added to the end of all user codes so that the user codes are equal in length to the master code.
I.e. old master code was 1234 and user 01 was 9876.
New master code = 123456. User 01 becomes 987600
- Keep a record of all codes and never attempt to program a duplicate of another code already in the keypad.
I.e. user 01 code cannot be the same as the master code.

Other points to note before programming

- You cannot enter programming mode if one of the relays is active.
- You cannot enter programming mode if the tamper switch is active. Close up the keypad housing first.
- To exit programming, at any stage, press the # key.

How to, setup the keypad for use by up to 20 users.

Setup a new master code: (Default = 1234)

Current Master Code + Current Master Code (*chime tone up*) + * + **00** + **New 4 to 8 digit Master Code** + # (*chime tone up*)

I.e. To change the master code to 4321:- **1234 1234 * 00 4321 #**

Setup user codes 01 to 19 that activate the lock relay: (User 01 default = 3333)

Master Code + Master Code (*chime tone up*) + * + **two digit user number** + **New User Code** (*chime tone up*)

I.e. To setup a single user code (example user 01 to 8282): - **1234 1234 * 01 8282 #**

I.e. To setup multiple user codes: - **1234 1234 * 01 8282 * 02 2222 * 03 3333.....#**

Setup code to activate the Auxiliary relay output: (Default = 9999)

NB! When programming a new code for the Auxiliary relay, the new code replaces the old code, with no need to erase the old code.

Master Code + Master Code (*chime tone up*) + * + **40** + **New Auxiliary Code** (*chime tone up*) + #

I.e. To setup Aux relay code to 2222:- **1234 1234 * 40 2222 #**

Deleting Lock relay output user codes:

Deleting an individual user code:

Master Code + Master Code (chime tone up) + * + 50 + two digit user number (chime tone up) + #

Deleting all user codes: (user 01 defaults to 3333)

Master Code + Master Code (chime tone up) + * + 50 + 00 (chime tone up) + #

Setup type or pulse length of Lock relay output: (Default = 1 sec.)

Set for Latch mode:

Master Code + Master Code (chime tone up) + * + 20 + 00 (chime tone up) + #

Set for pulse mode and set pulse length:

Master Code + Master Code (chime tone up) + * + 20 + 01 for 1 sec.....99 for 99sec (chime tone up) + #

Setup type or pulse length of Auxiliary relay: (Default = latch mode)

Set for Latch mode:

Master Code + Master Code (chime tone up) + * + 58 + 000 (chime tone up) #

Set for Pulse mode and pulse length:

Master Code + Master Code (chime tone up) + * + 58 + 001 for 1 sec, 002 for 2 sec.....999 for 999 sec (chime tone up) + #

Activate the incorrect code attempt lock out: (Default = disabled)

Keypad disables keystrokes for 30 sec. after 5 incorrect code entries or if 20 consecutive incorrect keystrokes have been entered. NB! Typing # between keystrokes restarts the incorrect keystroke counter.

Master Code + Master Code (chime tone up) + * + 51 (chime tone up) + #

Repeat this to de-activate again.

Activate the Bypass code option : (Default = Deactivated)

NEVER USE WITH SOLENOID TYPE STRIKERS or LOCKS!

When the Bypass code is entered the Lock relay latches on until the bypass code is re-entered or when the door release button is activated.

Master Code + Master Code (chime tone up) + * + 52 + 1(chime tone up) + #

Deactivating the bypass mode option:

Master Code + Master Code (chime tone up) + * + 52 + 0 (chime tone up) + #

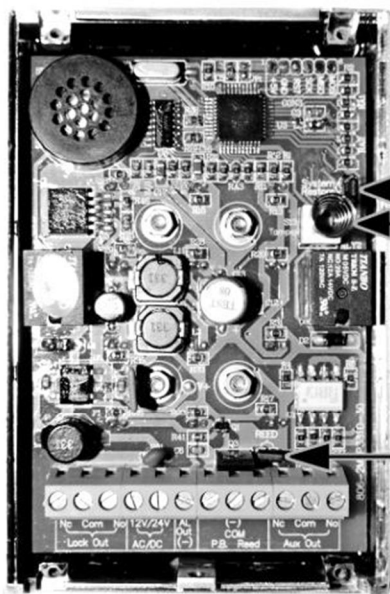
Setup bypass code: (Default = none)

Master Code + Master Code (chime tone up) + * + 54 + New unique bypass code (chime tone up) + #

Default the Keypad to factory default settings:

NB! All factory settings and codes will be restored to the default values and all previously programmed user codes will be erased.

- Power the E Pad down.
- Open the unit to access PCB
- Place jumper in the "system restore" position.
- Power the E Pad up.
- At continuous tone, remove and replace jumper in original position.
- Replace and secure cover.



System restore jumper.
Tamper switch.

Door monitoring jumper.
Remove if a door switch is installed.



LED Statuses		
Power LED	Green Lock Relay LED	Amber Aux Relay LED
Red = Normal mode	On = Relay active	On = Relay active
Yellow = Programming mode	Off = Standby	Off = Standby
	Flashing = Door alarm memory. Enter user code twice to clear.	

ADVANCED PROGRAMMING OPTIONS AND QUICK REFERENCE TABLE.

	Need	Action	Factory Default	Response
				Buzzer
	Enter programming mode	Master code + Master code	1234	Chime tone up
Master and user codes	Change master code	*00 + new master code (4-8 digits) Note the number of digits the master is set to will be the number of digits all user codes, lock, aux and bypass.		No chime tone
	Set user codes 01 ~ 19 (Lock relay output only)	*01- 19 + new unique user code (Same length as master code)	User 01 = 3333	Chime tone up
	Set user codes 20 ~ 39 and 41 ~ 99 (Lock relay output only)	* 6 + 2 digit user number + new unique user code (Same length as master code)		Chime tone up
	Set user code 40 (Aux relay output only)	* 40 + new unique aux user code (Same length as master code)	9999	Chime tone up
	Keypad lockout on multiple incorrect code attempts.	*51 to change status on or off.	De-activated	Chime tone up
	Delete a user code or all user codes. (If deleting all user 01 defaults to 3333)	*50 + 00 for all, 01 for user 1, 02 for user 2.....99 for user 99.		Chime tone up
Relays	Select Lock relay type or pulse length.	*20 + 00 = latch mode or 01 for 1 sec, 02 for 2 sec.....99 for 99 sec	1 sec.	Chime tone up
	Select Aux relay type or pulse length	*58 + 000 = latch mode or 001 for 1 sec, 002 for 2 sec.....999 for 999 sec.	Latch	Chime tone up
Bypass mode	Enable bypass mode.	*52 + 1	Disabled	Chime tone up
	Disable bypass mode.	*52 + 0	Default	Chime tone up
	Setup bypass code	*54 + new unique bypass code	None	Chime tone up
Alarm modes	Disable alarm output mode	*55 + 0	Disabled	Chime tone up
	Select alarm output to activate on door forced open condition	*55 + 1 (Door open time limited to equal Lock relay on time)	Not selected	Chime tone up
	Select alarm output to activate on tamper switch	*55 + 2	Not selected	Chime tone up
	Select alarm output to activate on both door forced and tamper switch	*55 + 3	Not selected	Chime tone up
	Select Alarm output active time	*56 + 001 for 1 sec, 002 for 2 sec.....999 for 999 sec.		Chime tone up
Auxiliary modes	Disable Aux output	*57 + 0	Enabled	Chime tone up
	Allocate door monitor to work with Aux output	*57 + 1	Not Allocated	Chime tone up
	Activate Aux output when multiple incorrect codes have been entered	*57 + 2 (Not operational if Aux relay has been set to latch)	Not Selected	Chime tone up
	Activate Aux output when * key is pressed (Doorbell function)	*57 + 3	Not Selected	Chime tone up
	Activate Aux output when tamper is activated	*57 + 4	Not Selected	Chime tone up
	Activate Aux output when door is forced open	*57 + 5	Not Selected	Chime tone up
	Activate Aux output together with lock output	*57 + 6	Not Selected	Chime tone up
	Aux output only activates when Aux code is entered	*57 + 7	Default	Chime tone up
Factory default	Factory default	Power down		
		Place jumper across the system restore pins		
		Power up		Continuous chime
		On continuous chime remove jumper and replace it in normal operation position.		

Using the keypad

Normal operation:-

To activate the lock relay, simply type in a valid code for that relay or press and release the free exit push button if one has been installed:

- The lock relay will activate as it was setup by the installer.
- The green LED indicator will activate as per the relay.

To activate the auxiliary relay, simply type in the valid code for that relay:

- The auxiliary relay will activate as it was setup by the installer.
- The yellow auxiliary LED will activate as per the relay.

Alarm monitoring conditions:-

If the alarm monitoring has been set up by the installer, the following will occur.
Alarm output, built in buzzer and flashing green LED will activate immediately an alarm condition occurs.

The follow are alarm conditions available:

- Door opened without a valid code entry first. (Door forced alarm)
- Door not closed by the time the lock relay resets. (Door kept open alarm)
- Keypad housing opened. (Tamper alarm)

After the alarm time (set by the installer) has expired, the alarm output and the built in buzzer resets. However, the flashing green LED continues until the first valid user code is entered into the keypad. This way the user is made aware that an alarm condition occurred even after the built in buzzer and alarm output have reset.

Bypass function:-

NEVER USE WITH SOLENOID TYPE STRIKERS or LOCKS!

In cases such as an office park or school gate, that need to temporarily be kept open to allow for peak traffic periods, the bypass function can be used. This function requires a dedicated code which is set up by the master code holder.

When the bypass code is entered, the lock relay will latch on until either the bypass code is entered again or the free exit push button is pressed.

While the bypass function is active, no other lock relay user code will release the relay.

This function is also useful where a magnetic lock is installed.



WARRANTY: All goods manufactured by G&C Electronics cc T/A ET Systems carry a 12 month factory warranty from date of invoice. All goods are warranted to be free of faulty components and manufacturing defects. Faulty goods will be repaired or replaced at the sole discretion of ET Systems free of charge. This warranty is subject to the goods being returned to the premises of ET Systems. The carriage of goods is for the customer's account. This warranty is only valid if the correct installation and application of goods, as laid out in the applicable documentation accompanying said goods, is adhered to. All warranty claims must be accompanied by the original invoice. All claims made by the end user must be directed to their respective service provider/installer from whom they purchased the product.

The following conditions will disqualify this product from the warranty as laid out above.

These conditions are non-negotiable.

- Any unauthorized non-manufacturer modifications to the product or components thereof.
- Incorrect voltage range used
- Incorrect loads applied to the relays

Cape Town (Southern Suburbs)

15 Nelson Road, Observatory, Cape Town, 7925

Tel: +27 (0)21 404 0800 – Fax: +27 (0)21 447 7794 – Email: sales@et.co.za

Cape Town (Northern Suburbs)

Unit 5, 2 Kiewiet Close, Okavango, Brackenfell

Tel: +27 (0)21 982 8556 – Fax: +27 (0)21 982 8299 – Email: sales@et.co.za

Port Elizabeth

12 Parkin Street, North End, Port Elizabeth, 6001

Tel: +27 (0)41 487 0400 – Fax: +27 (0)41 487 0404 – Email: salespe@et.co.za

Durban

Unit 6, 24 Alexander Road, Westmead, Pinetown, 3610

Tel: +27 (0)31 700 6694 – Fax: +27 (0)31 700 4574 – Email: saleskzn@et.co.za

Gauteng

Unit 2, Keymax Park, Samrand, 102 Stirling Road, Kosmosdal x12, Centurion

Tel: +27 (0)12 657 0439 – Fax: +27 (0)12 657 0587 – Email: salesgp@et.co.za

Nelspruit

Unit 12, 25 Rapid street West, Riverside Industrial Park, Riverside, 1200

Tel: +27 (0)13 755 4972 – Fax: +27 (0)13 755 4868 – Email: salesnelspruit@et.co.za

National Share call Number

0860 109 238

Website

www.et.co.za