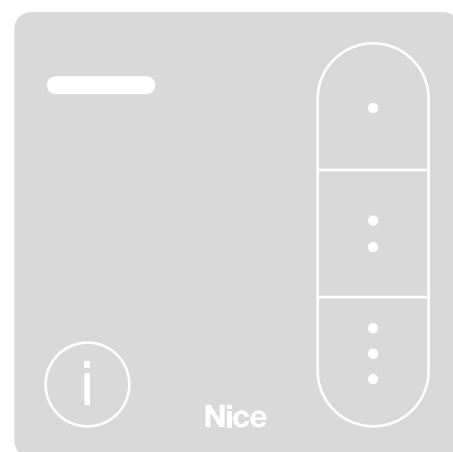


DOMIW3C

CE 0682

UK
CA



Wall-mounted transmitter

EN - Instructions and warnings for installation and use

Nice

CONTENTS

| | | |
|-----------|--|----------|
| 1 | GENERAL SAFETY WARNINGS AND PRECAUTIONS | 2 |
| 2 | PRODUCT DESCRIPTION AND INTENDED USE | 3 |
| 2.1 | List of constituent parts | 3 |
| 2.2 | Using the buttons | 3 |
| 2.3 | Transmitter functions | 3 |
| 3 | TRANSMITTER VERIFICATION | 4 |
| 4 | ONE-WAY PROGRAMMING PROCEDURE | 4 |
| 5 | TWO-WAY PROGRAMMING PROCEDURE | 4 |
| 5.1 | In the event of a new transmitter | 4 |
| 5.2 | If the transmitter has already been programmed in one-way mode and must be modified to two-way mode | 4 |
| 6 | MEMORISING THE TRANSMITTER | 4 |
| 6.1 | Memorisation in "Mode 1" | 4 |
| 6.2 | Memorisation in "Mode 2" | 4 |
| 6.3 | Memorising a two-way-configured transmitter on OXIBD | 5 |
| 6.4 | Memorising a new transmitter using a previously memorised transmitter (only with O-Code encoding system) | 5 |
| 6.5 | Memorisation through the "ENABLING Code" (between an OLD transmitter already memorised and a NEW transmitter with BD encoding) | 5 |
| 7 | STATUS REQUEST PROCEDURE | 5 |
| 8 | FULL DELETION PROCEDURE | 5 |
| 9 | SIGNALS | 6 |
| 9.1 | Signals on switch-on | 6 |
| 10 | REPLACING THE BATTERY | 6 |
| 11 | PRODUCT DISPOSAL | 6 |
| 11.1 | Battery disposal | 6 |
| 12 | TECHNICAL SPECIFICATIONS | 7 |
| 13 | CONFORMITY | 7 |
| 13.1 | SIMPLIFIED EU DECLARATION OF CONFORMITY | 7 |
| 14 | ACCESSORIES | 7 |



CAUTION! – This manual contains important instructions and warnings for personal safety. Carefully read all parts of this manual. If in doubt, suspend installation immediately and contact the Nice Technical Assistance.



CAUTION! – Important instructions: keep this manual in a safe place to enable future product maintenance and disposal procedures.

- The product packing materials must be disposed of in compliance with local regulations.
- Never apply modifications to any part of the device. Operations other than those specified may only cause malfunctions. The manufacturer declines all liability for damage caused by make-shift modifications to the product.
- Never place the device near to sources of heat and never expose to naked flames. These actions may damage the product and cause malfunctions.
- This product is not intended for use by people (including children) with reduced physical, sensory or mental capabilities or who lack experience and knowledge, unless they have been given supervision or instruction concerning the use of the product by a person responsible for their safety.
- Make sure that children do not play with the product.
- Handle the product with care, being sure not to crush, knock or drop it in order to avoid damage.
- The batteries must be removed from the appliance prior to its disposal.
- The batteries must be disposed of in a safe way.
- Do not swallow the batteries. Risk of chemical burns.
- This product contains a lithium coin battery. If swallowed, it can cause internal burns in just two hours or even death.
- If you think the batteries have been swallowed or placed in any part of the body, immediately contact a physician.
- If the battery compartment does not close tightly, stop using the product and keep it out of reach of children.
- The manufacturer of this appliance, Nice S.p.A., hereby declares that the product complies with Directive 2014/53/EU.
- The instruction manual and the full text of the EU Declaration of Conformity are available at the following Internet address: www.niceforyou.com, under the "support" and "download" sections.
- For transmitters: 433 MHz: ERP < 10 dBm.

2 PRODUCT DESCRIPTION AND INTENDED USE

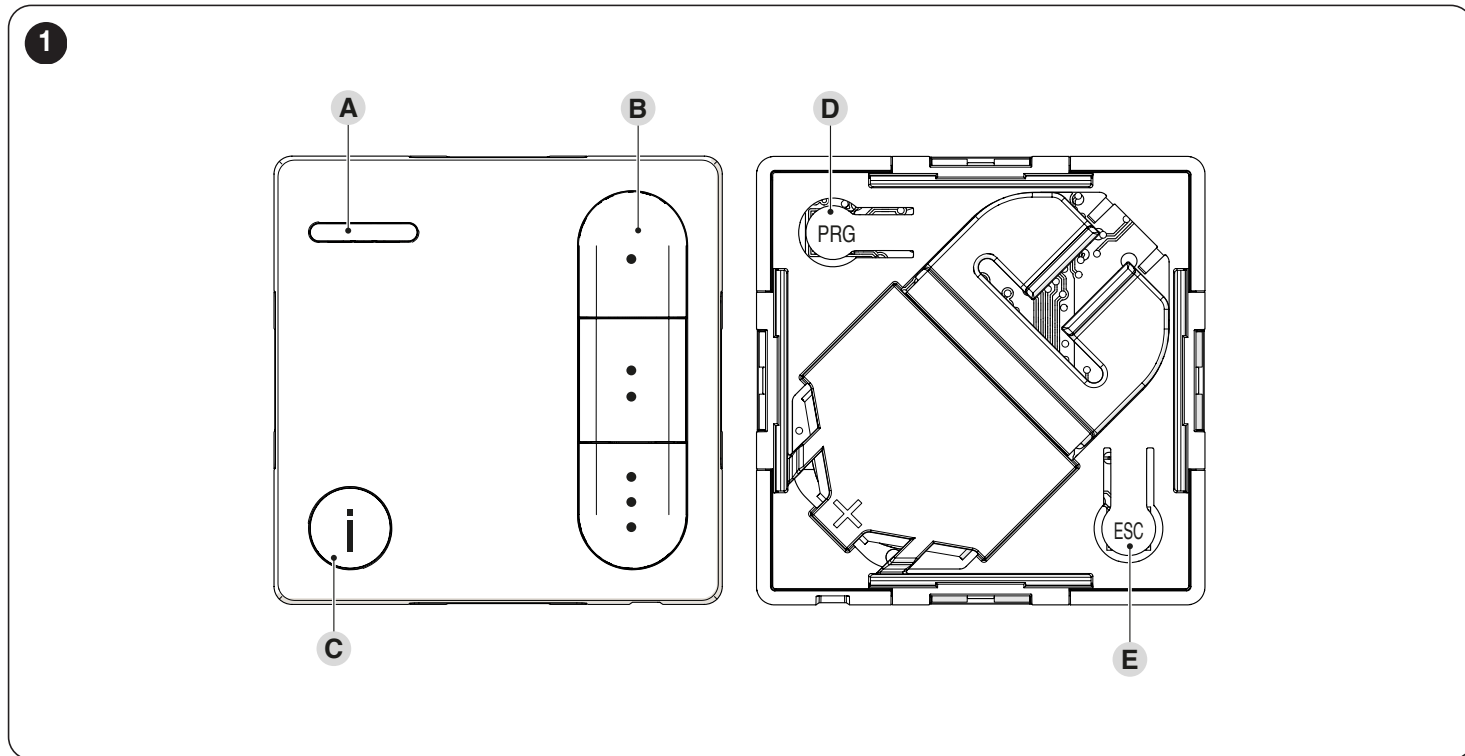
The **DOMIW3C** transmitter is designed to control automations (gates, garage doors, road barriers and similar).



CAUTION! – Any use other than that specified herein or in environmental conditions other than those stated in this manual is to be considered improper and is strictly forbidden!

2.1 LIST OF CONSTITUENT PARTS

“**Figure 1**” shows the main parts that make up **DOMIW3C** transmitters.



- A** Automation status LED
- B** Command transmission buttons (channel 1 “•”, channel 2 “:” and channel 3 “:”)
- C** Automation status request button
- D-E** Programming buttons (accessible from the back of the transmitter after removing the battery’s protective casing)

2.2 USING THE BUTTONS

A description on how to use the buttons of **DOMIW3C** transmitters is given below.

B Command transmission buttons

They are used to send channel 1 •, channel 2 : and channel 3 : commands.

C Automation status request button

Pressing the button causes the automation’s status to appear in one of the ways described in the paragraph “**STATUS REQUEST PROCEDURE**” on page 5.

D-E Programming buttons (accessible from the back of the transmitter after removing the battery’s protective casing)

On compatible automations (for example for motors and control units belonging to the **Era** series by **Nice**), these keys are used to simplify the running of programming operations. The **PRG** key speeds up access to the procedures while the **ESC** key speeds up the exit from them.

2.3 TRANSMITTER FUNCTIONS

DOMIW3C is compatible with receivers that use the “O-Code” one-way radio encoding system or the “BD” two-way encoding system. This protocol offers additional functions, including:

- the sending of the confirmation (from the receiver to the transmitter) that the transmitted command was received. After the transmission, if the command has been received, the LED lights up **GREEN**. In the event of a “command NOT received”, the transmitter LED will light up **RED** after a series of orange flashes
- sending of the automation’s status (for example, whether the gate or door is open or closed): consult the paragraph “**STATUS REQUEST PROCEDURE**” on page 5).



WARNING! The **DOMIW3C** transmitter leaves the factory with the two-way configuration.

For the code change procedure consult the paragraph “**ONE-WAY PROGRAMMING PROCEDURE**” on page 4 and the paragraph “**TWO-WAY PROGRAMMING PROCEDURE**” on page 4.

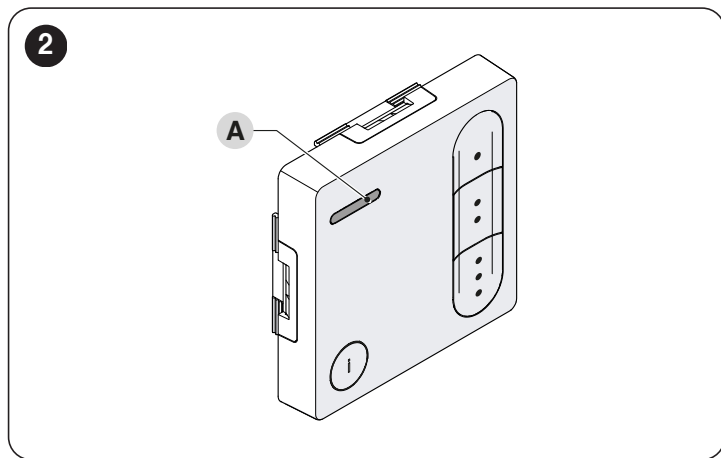


Each single encoding allows for exploiting only the functions linked to that specific encoding system.

3 TRANSMITTER VERIFICATION

Before memorising the transmitter in the automation's receiver, ensure that it work correctly by pressing any key while observing whether LED (A) (Figure 2) lights up.

If LED (A) fails to light up, check the condition of the battery and replace it if necessary (refer to the **"REPLACING THE BATTERY"** paragraph on page 6).



4 ONE-WAY PROGRAMMING PROCEDURE

(Example with Spido or one-way receiver)

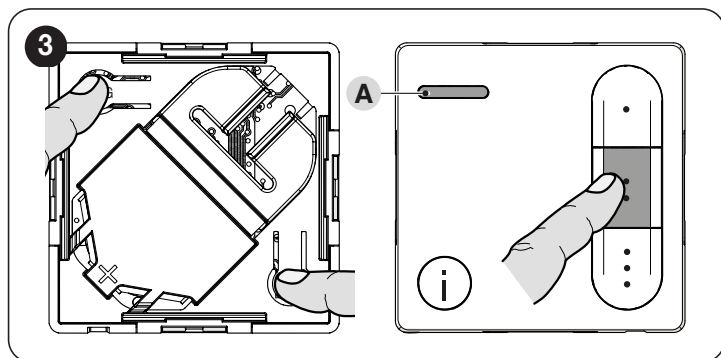
WARNING! The encoding switch procedure implies a factory reset that deletes all previously memorised settings.

This procedure (Figure 3) allows for modifying the type of encoding ("O-Code" or "BD").

DOMIW3C is configured by default with the two-way "BD" radio encoding. If the system's automation uses the one-way "O-code" encoding system, the "encoding switch" procedure must be carried out.

To perform this procedure:

1. simultaneously press the "PRG", "ESC" and ":" keys until the green LED (A) flashes then release them
2. once the flashing stops, the lighting up RED of LED (A) indicates that the one-way "O-Code" encoding system has been set.



5 TWO-WAY PROGRAMMING PROCEDURE

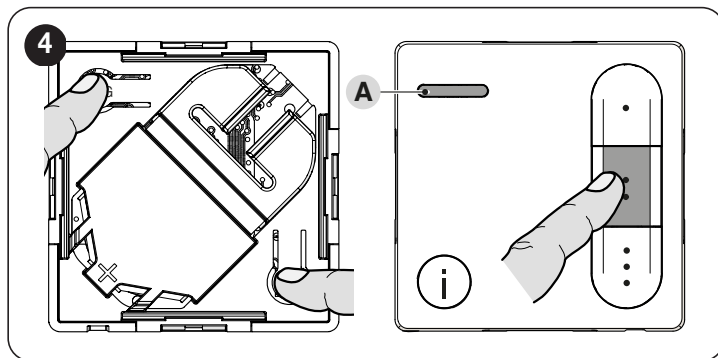
5.1 IN THE EVENT OF A NEW TRANSMITTER

The transmitter is factory programmed with the two-way mode – skip directly to the paragraph **"MEMORISING THE TRANSMITTER"** on page 4.

5.2 IF THE TRANSMITTER HAS ALREADY BEEN PROGRAMMED IN ONE-WAY MODE AND MUST BE MODIFIED TO TWO-WAY MODE

To restore the two-way "BD" encoding:

1. simultaneously press the "PRG", "ESC" and ":" keys until the red LED (A) flashes then release them
2. once the flashing stops, the lighting up GREEN of LED (A) indicates that the two-way "BD" encoding system has been set
3. continue with the indications described in the paragraph **"MEMORISING THE TRANSMITTER"** on page 4.



6 MEMORISING THE TRANSMITTER

To memorise the transmitter in a receiver, the following procedures can be adopted:

- memorisation in "Mode 1"
- memorisation in "Mode 2"
- memorisation of a new transmitter using a previously memorised transmitter.



During the transmitter memorisation phases, we suggest keeping only one automation on at a time, or verifying that this automation is out of range so as to prevent unwanted programmings.



These procedures are described in the instruction manual of the receiver or control unit with which the transmitter must be operated. The above-mentioned manuals are also available on the website: www.niceforyou.com.

6.1 MEMORISATION IN "MODE 1"

This mode allows for memorising in the receiver, once only, all the transmitter command buttons, associating them **automatically** with each command managed from the control unit (default commands).



Refer to the control unit instructions to identify the type of command that will be paired with each transmitter button.

6.2 MEMORISATION IN "MODE 2"

This mode allows for memorising in the receiver a single transmitter key, associating it with the commands managed from the control unit (maximum 4 and chosen by the user).



The same procedure must be repeated for each button to be memorised.

6.3 MEMORISING A TWO-WAY-CONFIGURED TRANSMITTER ON OXIBD

To memorise the transmitter configured in two-way mode on OXIBD, perform the following steps:

1. Press and hold the OXIBD key until the green LED lights up steady
2. Press and hold the PROG key of the transmitter until, after a series of orange flashes, the LED turns green
3. Release the PROG key
4. Wait for the OXIBD LED to switch off
5. Press the OXIBD receiver key again to activate the desired memorisation procedure (mode I or mode II)
6. Press and release the transmitter control key.

The successful memorisation will be signalled by the transmitter with the lighting up of the green LED.



WARNING: in Mode 2, after memorising a transmitter key for the first time, perform the procedure from step 5 to memorise additional keys.

6.4 MEMORISING A NEW TRANSMITTER USING A PREVIOUSLY MEMORISED TRANSMITTER (ONLY WITH O-CODE ENCODING SYSTEM)

This mode allows the user to memorise additional transmitters by exploiting the presence of another transmitter already memorised in the receiver. By operating with another transmitter already memorised in the same receiver (at a maximum distance of 20 m), it is possible to memorise a new transmitter which will adopt the same commands already present in the memorised transmitter.

6.5 MEMORISATION THROUGH THE "ENABLING CODE" (BETWEEN AN OLD TRANSMITTER ALREADY MEMORISED AND A NEW TRANSMITTER WITH BD ENCODING)



During this phase we suggest switching the automation off or verifying that it is out of range so as to prevent unwanted programmings.

The **DOMIW3C** transmitter has a secret code, the so-called "ENABLING CODE". By transferring this code from a memorised transmitter to a new transmitter, the latter is recognised (and memorised) automatically by the receiver.

To perform the memorisation procedure:

1. On the OLD transmitter, remove and insert the battery (consult the paragraph "**REPLACING THE BATTERY**" on page 6)
 - LED (A) will flash orange
2. Within 10 seconds, on the NEW transmitter:
 - Press •.

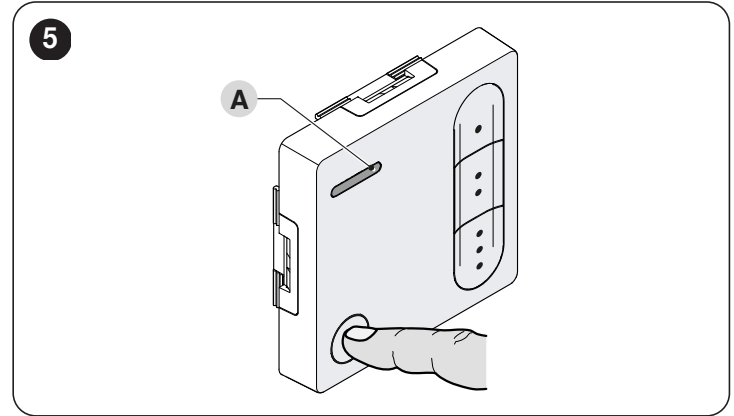
The correct reception of the code is signalled by LED (A) lighting up green. If LED (A) lights up red, the procedure must be repeated.

7 STATUS REQUEST PROCEDURE

The following procedure (**Figure 5**) allows for knowing the status of the automation through the transmitter (for example, whether the door or gate is open or closed).

To request the status:

1. press and release key (i) "Status request"
2. press and release the key relative to the desired automation
3. observe the colour of LED (A):
 - **GREEN:** gate/door OPEN
 - **RED:** gate/door CLOSED
 - **ORANGE:** partial opening/closing.



8 FULL DELETION PROCEDURE



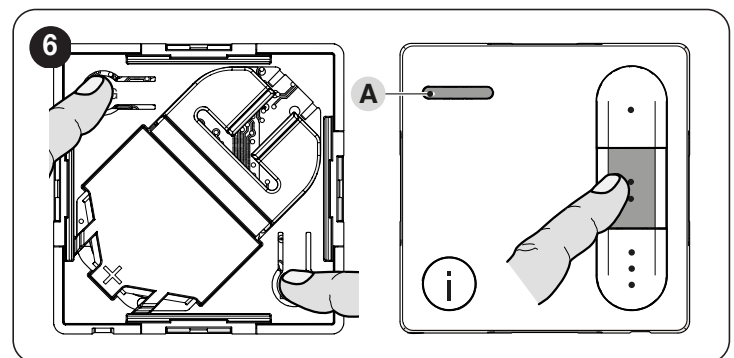
The deletion procedures exclusively involve the DOMIW3C transmitters configured in two-way mode.



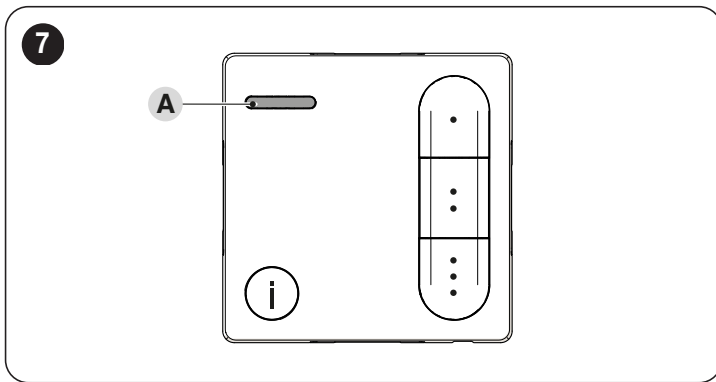
This procedure can be used to restore the transmitter's factory conditions. At the end of the procedure, all the previously memorised settings will be lost.

To perform the procedure (**Figure 6**):

1. simultaneously press the "PRG", "ESC" and "•" keys until the green LED (A) flashes then release them. Once the flashing stops, LED (A) will light up **RED** for a brief moment
2. simultaneously press the "PRG", "ESC" and "•" keys until the red LED (A) flashes then release them. Once the flashing stops, the lighting up **GREEN** of LED (A) indicates that the deletion procedure has been completed.



9 SIGNALS



9.1 SIGNALS ON SWITCH-ON

When the battery is inserted, LED (A) will light up (**Figure 7**):

- GREEN, if the transmitter is configured in two-way mode and no receiver has been associated yet
- RED, if the transmitter is configured in one-way mode

When the battery is inserted, LED (A) will flash:

- ORANGE, if the transmitter is configured in two-way mode and at least one receiver has been associated.

10 REPLACING THE BATTERY

 **Keep the new and used batteries out of reach of children.**

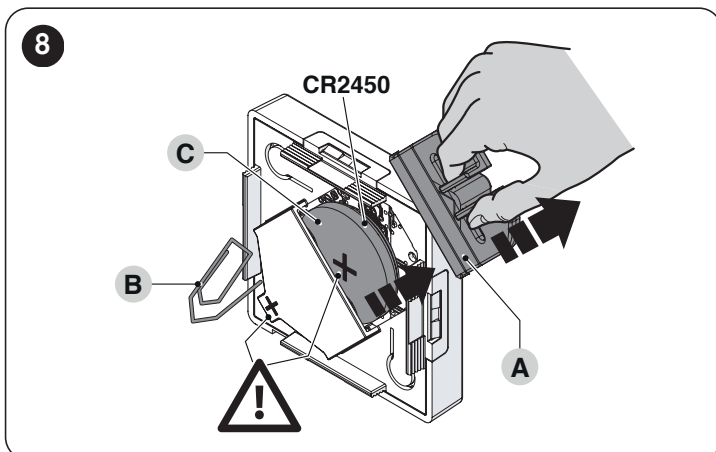
 **Do not swallow the batteries. Risk of chemical burns or even death.**

When the battery is flat and a button is pressed, the corresponding signalling LED fades and the transmitter will not transmit. With the battery almost flat, the signalling LED emits red flashes during the transmission process. To restore normal transmitter operation, replace the battery with a version of the same type, while observing the polarity.

To change the battery (**Figure 8**):

1. squeeze the tabs of the cover (A) with the fingers and extract it
2. insert a paper clip (or similar object) through hole (B) to push the battery (C) and so remove it
3. remove the battery and replace it with another of the same type
4. put the cover back on (A).

 **When inserting the new battery, be careful to respect the polarity.**



11 PRODUCT DISPOSAL


 **This product is an integral part of the operator and must therefore be disposed of with it.**

As with the installation, only qualified personnel must dismantle the product at the end of its life.

This product is composed of different types of materials. Some of these materials can be recycled; others must be disposed of. Please enquire about the recycling or disposal systems in place in your local area for this type of product.

 **WARNING**

Some parts of the product may contain polluting or dangerous substances. If not disposed of correctly, these substances may have a damaging effect on the environment and human health.

 **As indicated by the symbol shown here, this product must not be disposed of with household waste. Separate the waste for disposal and recycling, following the methods stipulated by local regulations, or return the product to the seller when purchasing a new product.**



 **WARNING**

Local regulations may impose heavy penalties if this product is not disposed of in compliance with the law.

11.1 BATTERY DISPOSAL

 **WARNING**

The batteries must be removed from the appliance prior to its disposal.

The batteries must be disposed of in a safe way.

The flat battery contains toxic substances and must not be disposed of with common waste. Dispose of according to separate waste collection methods as envisaged by current local standards.

12 TECHNICAL SPECIFICATIONS



All technical specifications stated in this section refer to an ambient temperature of 20°C (± 5°C). Nice S.p.A. reserves the right to apply modifications to the product at any time when deemed necessary, without altering its functions and intended use.



The range of transmitters and the reception capacity of the receivers are heavily affected by other devices (alarms, headphones, etc.) operating on the same frequency in your area. Under such conditions, Nice S.p.A. cannot provide any guarantee with regard to the actual range of its devices.

Table 1

| TECHNICAL SPECIFICATIONS | |
|--------------------------|--|
| Description | Technical specification |
| | DOMIW3C |
| Product type | Two-way transmitter |
| Power supply | 3 Vdc lithium battery type CR2450 |
| Battery life | approx. 3 years, with 10 command transmissions per day |
| Frequency | 433.92 MHz |
| Radiated power (ERP) | < 10 mW |
| Radio encoding | BD - O-Code |
| Operating temperature | -5°C ... +55 °C |
| Protection rating | IP 40 (suitable for use at home indoors or in outdoor areas under cover) |
| Dimensions | 50x50x13 mm |
| Weight | 24 g |

13 CONFORMITY

13.1 SIMPLIFIED EU DECLARATION OF CONFORMITY

The manufacturer, Nice S.p.A., hereby declares that the product **DOMIW3C** conforms to Directive 2014/53/UE.

The full text of the EU declaration of conformity is available at the following internet address: <https://www.niceforyou.com/en/support>.

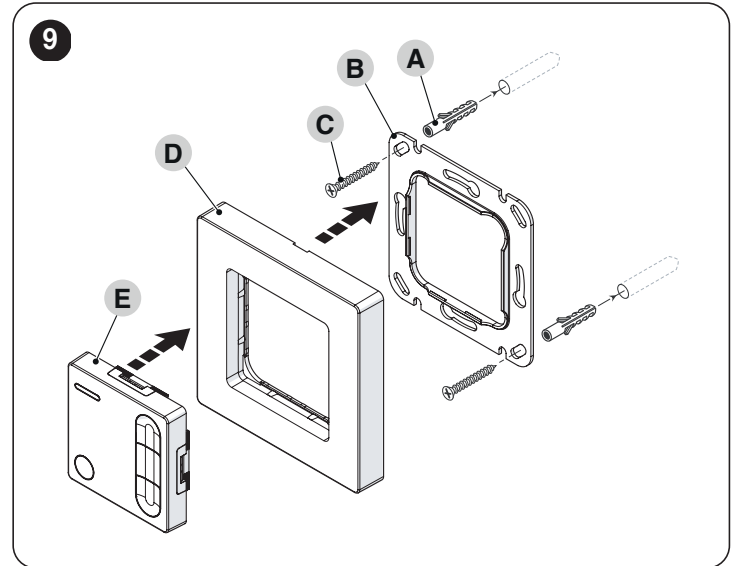
14 ACCESSORIES

The transmitter **DOMIW3C** can be fitted with plates for wall mounting. For mounting the plates to the wall:

1. drill the wall and insert the wall plugs (A), which must be chosen in relation to the fixing surface
2. position the plate (B) and secure it with the screws (C)

position the plate cover (D).

At this point, the transmitter (E) can be fitted in its relevant housing.



The fixing plate (B) must be installed on smooth and flat walls. Position the transmitter (E) inside the plate cover (D) and attach it to the plate (B).



Nice SpA
Via Callalta, 1
31046 Oderzo TV Italy
info@niceforyou.com

www.niceforyou.com